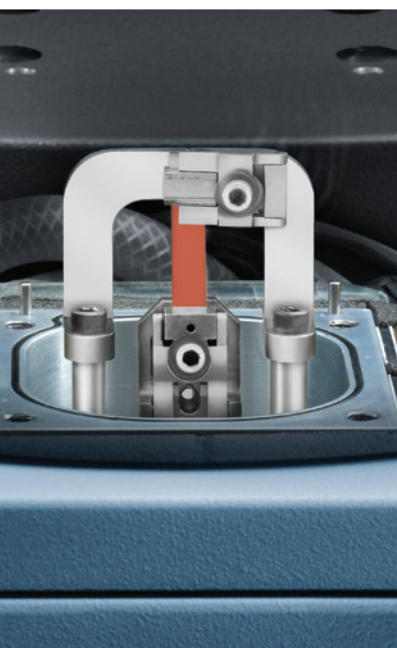


ACCESSORIES, PARTS, & CONSUMABLES  
PRICE LIST **US \$** – EFFECTIVE JANUARY, 2016

Thermal Analysis	2
Rheology - DHR & AR	9
Rheology - ARES-G2 & ARES Classic	24
Rubber Testing	31
RSA-G2	32
DMA Q800	33
Microcalorimetry - TAM Systems	34
Microcalorimetry - Nano Systems	38
Thermophysical Properties	40



Note: Prices and descriptions are subject to change without notice.

### TA Instruments® Registered Trademarks

TA Instruments®  
 Modulated DSC® and MDSC®  
 Tzero®

### TA Instruments Trademarks

Q Series™  
 Integrity™  
 Smart Swap™  
 Modulated TGA™  
 MTGA™  
 Hi-Res™  
 Platinum™  
 Advantage™  
 Discovery DSC™

### Other Manufacturers

Hastelloy®  
 Viton®  
 Kalrez®  
 Kel-F®  
 Teflon®  
 ThermoStar®  
 Alumel®  
 Excel®

# Thermal Analysis

Discovery Series DSC Accessories		US \$
972500.901	Discovery DSC Replacement Cell	13,900
972503.901	Discovery Finned Air Cooling System (FACS)	2,600
972507.901	Discovery Refrigerated Cooling System - RCS40 (120V/60 Hz): for use with Discovery Series and Q Series DSC instruments	8,780
972507.902	Discovery Refrigerated Cooling System - RCS40 (230V/50 Hz): for use with Discovery Series and Q Series DSC instruments	8,780
972007.901	Discovery Refrigerated Cooling System - RCS90 (120V/60 Hz): for use with Discovery Series and Q Series DSC instruments	12,500
972007.902	Discovery Refrigerated Cooling System - RCS90 (230V/50 Hz): for use with Discovery Series and Q Series DSC instruments	12,500
972400.901	Discovery Liquid Nitrogen Pump Accessory (LN2P)	17,800
972011.901	Accessory Kit, Discovery DSC	3,830

## QDSC Accessories

970020.901	Q2000/Q1000 Replacement Cell	10,200
970520.901	Q200/Q20/AQ20/Q100/Q10 Replacement Cell <i>Note: Requires separately priced installation by a TA Field Service Engineer.</i>	9,400
970020.982	Q2000/Q1000 Replacement Cell - REMAN (as available)	7,690
970520.982	Q200/Q20/AQ20/Q100/Q10 Replacement Cell - REMAN (as available) <i>Note: Requires separately priced installation by a TA Field Service Engineer.</i>	7,050
970037.901	Finned Air Cooling System (FACS) <i>Note: For programmed air cooling of Q Series DSC Cell from 725°C to ambient temperature.</i>	2,140
970036.901	Quench Cooling Accessory for FACS (also suitable for use with the Tzero Pressure DSC Cell (P/N: 970900.901)) <i>Note: Assists FACS in rapid cooling of Q Series DSC Cell to ambient temperature.</i>	1,480
970347.901	Quench Cooling Accessory (QCA) (for quench cooling of Q20/Q10 Cell to -180°C) <i>Note: For quench cooling of Q2000 and Q200 cells the following parts are also required: P/N: 970282.001 Inner Manual Lid, P/N: 970283.001 Outer Manual Lid, and P/N: 970284.901 Manual Cell Cover.</i>	2,030
970400.901	Liquid Nitrogen Cooling System (LNCS) (85 - 264V; 50/60 Hz.) <i>Note: For programmed or quench cooling of Q Series DSC Cells from 550 to -180°C. LNCS can be automatically refilled from an external LN2 source.</i>	15,300

970425.901	LNCS DSC Purge Gas Purifier Unit <i>Note: For removal of trace moisture in purge gases. Includes gas dryer unit and appropriate shut-off and bypass valving.</i>	4,230
200245.001	Pressure Regulator (North America use only) <i>Note: For use with the RCS Dryer or the LNCS Purge Gas Purifier Unit; 4000 psi input, 40 psi output; CGA.</i>	680
200266.001	RCS Dryer <i>Note: For removal of trace moisture in purge gases.</i>	530
970282.001	Inner Manual Lid	275
970283.001	Outer Manual Lid	540
970284.901	Manual Cell Cover	465
970900.901	Tzero Pressure DSC Cell (use with the Q2000 DSC module requires the Q Series PDSC Cell Shipping Accessory Kit (P/N: 970814.901))	23,100
970906.901	Tzero Pressure Cell Accessory Kit: required for installation of Tzero Pressure Cell (P/N: 970900.901) on a Q2000 DSC module. This kit is included within the Q Series PDSC Cell Shipping Accessory Kit (P/N: 970814.901)	2,180
970814.901	Q Series PDSC Cell Shipping Accessory Kit <i>Note: For use with the Tzero Pressure DSC Cell (P/N: 970900.901) on a Q2000 DSC module. Includes Tzero Pressure Cell Accessory Kit (P/N: 970906.901).</i>	2,830
915064.901	MDSC Thermal Conductivity Kit	1,160
970442.001	Inner Manual Lid (replacement part for QDSC Autolids II)	265
970464.001	Outer Lid (replacement part for QDSC Autolids II)	410
970441.001	Lift Rod (replacement part for QDSC Autolids II)	95
971126.901	DSC Autosampler Tray (replacement)	1,080

## Discovery DSC and QDSC Photocalorimeter Accessory and Parts

935002.902	PCA Accessory Kit (replacement only) <i>Note: TA supplied items required for photocalorimeter operation by customer who already has, or will separately obtain, the Novacure 2100 analyzer and appropriate dual light guide.</i>	9,220
935002.903	PCA Accessory Kit (replacement only) <i>Note: TA supplied items required for photocalorimeter operation by customer who already has, or will separately obtain, the Omnicure S-2000 analyzer and appropriate dual light guide.</i>	12,700
935012.002	Dual Quartz Light Guide for PCA (-50 to 250°C operation) <i>Note: Requires RCS for subambient use.</i>	8,030
935012.001	Dual Liquid Light Guide for PCA (-50 to 80°C operation) <i>Note: Requires RCS for subambient use.</i>	9,180



972734.901	Discovery PCA Trigger Adapter: an adapter to convert USB communication from the Discovery products to RS232 communication for the PCA. This adapter is required for the Discovery DSC to communicate with the PCA and should be added to PCA orders for the Discovery DSC.	1,680
935014.901	PCA/UV External Filter Adapter Accessory Kit (allows use of external filters with the PCA P/N: 935000.901)	2,360
935009.005	Blank Filter Holder (for the Omnicure S-2000 with external filter adapter)	270
935009.001	Filter, External, 320 - 480 nm (for the Omnicure S-2000 with external filter adapter)	1,030
935009.002	Filter, External, 320 - 390 nm (for the Omnicure S-2000 with external filter adapter)	1,030
935009.004	Filter, External, 400 - 500 nm (for the Omnicure S-2000 with external filter adapter)	1,140
935009.003	Filter, External, 365 nm (for the Omnicure S-2000 with external filter adapter)	1,980
935013.001	PCA Air Filter Kit (pkg. of 10)	170
935018.901	PCA Longpass Filter, 390 nm (pkg. of 2)	540
935019.901	PCA Longpass Filter, 490 nm (pkg. of 2)	580
935015.901	Filter, Neutral Density, 1 %	390
935016.901	Filter, Neutral Density, 10 %	505
935021.001	Lamp, 100 W, Mercury (for the Novacure 2100)	2,280
935021.002	Lamp, 200 W, Mercury (for the Omnicure S-2000)	2,160
935051.901	Universal Optical Accessory Kit	6,310
200700.001	Radiometer (R2000) (for use with either PCA)	3,540

### Tzero DSC Sample Press and Die Sets/Sample Pans and Lids

901600.901	Tzero Sample Press and Die Sets Kit <i>Note: Includes a Tzero Press and die sets for Tzero Pans/Tzero Lids and Tzero Low-Mass Pans/Tzero Lids; Tzero Pans/Tzero Hermetic Lids; and Standard Aluminum Pans/Lids; Standard Hermetic Pans/Lids, respectively. The kit also includes one box each of Tzero Pans (100) and Tzero Lids (100).</i>	5,000
901608.901	DSC Standard Die Set (GREEN color) (for use in the Tzero Sample Press)	1,160
901608.902	DSC Hermetic Die Set (WHITE color) (for use in the Tzero Sample Press)	1,160
901608.903	DSC Tzero Die Set (BLACK color) (for use in the Tzero Sample Press)	1,160

901608.904	DSC Tzero Hermetic Die Set (BLUE color) (for use in the Tzero Sample Press)	1,160
901608.905	DSC High Volume Die Set (YELLOW color) <i>Note: For use with the Tzero press and standard series high volume pans and lids.</i>	1,160
972800.901	Tzero Powder Sample Preparation Kit	1,100
901670.901	Tzero Low-Mass Pans (pkg. of 100)	225
901671.901	Tzero Lids (pkg. of 100)	155
901683.901	Tzero Pans (pkg. of 100)	245
901684.901	Tzero Hermetic Lids (pkg. of 100)	160
901685.901	Tzero Hermetic Pinhole Lid (75 micron diameter pinhole) (pkg. of 50)	510
901697.901	Tzero Alodined Pans (pkg. of 100)	295
901698.901	Tzero Hermetic Alodined Lids (pkg. of 100)	185

### Standard Series DSC Sample Pans and Lids

*Note: (\*) Indicates the pans and lids work with the Tzero or Standard DSC Press.*

900760.901	Classic Aluminum Pans* (pkg. of 200) (higher sidewall compared to standard aluminum sample pans)	245
900786.901	Standard Aluminum Pans* (pkg. of 200)	225
900779.901	Standard Aluminum Lids* (pkg. of 200)	225
900793.901	Standard Aluminum Hermetic Pans* (pkg. of 200)	335
900794.901	Standard Aluminum Hermetic Lids* (pkg. of 200)	335
900860.901	Hermetic Lids with Pinhole (pkg. of 50)	495
900796.901	Standard Coated Aluminum Hermetic Pans* (pkg. of 200)	335
900790.901	Standard Coated Aluminum Hermetic Lids* (pkg. of 200)	335
900808.901	High Pressure Sample Pan Kit <i>Note: Includes crimping tool, 5 reusable stainless steel capsules, and 20 seals.</i>	3,720
900815.901	High Pressure Capsules (pkg. of 5)	280
900814.901	High Pressure Capsule Seals (pkg. of 20)	320
900825.901	High Volume Sample Pan Kit <i>Note: Includes metal bell jar and lid, high volume die sets for Tzero and older Standard Press plus 100 each pans, lids, and seals.</i>	4,460
900825.902	High Volume Sample Pans, Lids, and Seals (pkg. of 100)	1,740
900824.901	High Volume Sample Pan Die Set (for Standard DSC Press)	1,550
900870.901	Aluminum Sample Pans for SFI Samples (pkg. of 200)	180
900867.901	Copper Sample Pans (pkg. of 200)	180
900866.901	Gold Sample Pans* (pkg. of 10)	1,070

900868.901	Gold Lids* (pkg. of 10)	1,070
900871.901	Gold Sample Pans, Hermetic* (pkg. of 10)	1,500
900872.901	Gold Lids, Hermetic* (pkg. of 10)	1,070
900874.901	Graphite Sample Pans (pkg. of 10)	470
900873.901	Graphite Lids (pkg. of 10)	470
900578.901	Platinum Sample Pans (pkg. of 10)	1,700

### DSC Calibration Materials

970345.901	Kit, Tzero Calibration, Sapphire	290
970370.901	Kit, MDSC Calibration, Sapphire	520
915060.901	DSC/DTA Certified Temperature Calibration Kit	2,060
915061.901	Replacement Certified Indium Reference Material (for P/N: 915060.901 kit)	865
900902.901	Indium Calibration Material (not certified)	110
900910.901	Tin Calibration Material (not certified)	110
900907.901	Zinc Calibration Material (not certified)	110
915079.902	Sapphire Specific Heat Material (0.13 inch OD x 0.020 inch height) <i>Note: Compatible with all DSC and SDT Pans.</i>	220
915079.901	Sapphire Specific Heat Material (0.16 inch OD x 0.020 inch height) <i>Note: Compatible with all pans except Standard Series Hermetic Pans P/N: 900793.901; P/N: 900796.901; P/N: 900871.901.</i>	220
915079.903	Sapphire Specific Heat Material (0.187 inch OD x 0.034 inch height, for DSC standard sample pans) <i>Note: Compatible with all pans except Standard Series Hermetic Pans P/N: 900793.901; P/N: 900796.901; P/N: 900871.901.</i>	220
970489.901	Adamantane Traceable Temperature and Enthalpy Calibration Material	835

### Discovery Series TGA

954011.901	Discovery TGA Accessory Kit	4,720
------------	-----------------------------	-------

### QTGA Thermogravimetric Analyzer

953046.901	Evolved Gas Furnace (EGA) (for Q500 and Q50) <i>Note: Recommended for evolved gas analysis with an MS or FTIR.</i>	7,330
957352.901	TGA Aluminum Sealed Pan Kit (for use with Discovery TGA and Q5000 IR) <i>Note: Consists of 100 pans, 100 lids, 30 bails, punch alignment tool, and dies for use with the Tzero and older standard presses.</i>	2,540

957540.901	TGA Die Set <i>Note: For use with the Tzero Press and the Sealed Aluminum Pan Kit P/N: 957352.901.</i>	1,160
957050.901	Q5000 Infrared Furnace (New)	20,300
954050.982	Discovery Infrared Furnace (REMAN)	11,200

### Discovery TGA and Q5000 IR TGA Sample Pans (also suitable for use with the TGA-HP and VTI-SA Sorption Analyzers)

957363.901	Aluminum Sample Pans, 80 µL (pkg. of 100)	450
957362.901	Aluminum Lids (pkg. of 100)	570
957329.903	Ceramic Sample Pans, 100 µL (pkg. of 3)	725
957329.904	Ceramic Sample Pans, 250 µL (pkg. of 3)	810
957207.903	Platinum Sample Pans, 50 µL (pkg. of 3)	760
957207.904	Platinum Sample Pans, 100 µL (pkg. of 3)	855
957571.901	Platinum - HT Sample Pans, 100 µL (pkg. of 3)	940
957364.901	Stainless Steel Bail (pkg. of 15)	360
957210.902	Quartz Sample Pans (pkg. of 3) (requires Autosampler Tray P/N: 957216.901)	865

### Discovery TGA and Q5000 IR Replacement Parts

954399.901	Discovery TGA/Q5000 IR TGA Lower Furnace Assembly	6,610
957099.901	Tray Autosampler TGA - 25 position: (for use with platinum, ceramic, and aluminum sample pans)	1,070
957216.901	Tray Autosampler TGA - 10 position: (standard with Q5000 SA; option for Discovery TGA and Q5000 IR with Quartz Crucibles)	790
957515.901	Loop Decoupler Kit	55
953260.901	TGA Heat Exchanger (for use with Discovery TGA and Q5000/Q500/Q50 instruments) <i>Note: Requires TGA Heat Exchanger Harness (P/N: 953176.901) for connection to the TGA Instrument.</i>	4,460
953176.901	TGA Heat Exchanger Harness (for use with the TGA Heat Exchanger (P/N: 953260.901))	125
952377.901	Heat Exchanger Conditioning Kit (fungicide)	55
952394.901	Sample Nickel Wire (not certified)	130
900905.901	Calcium Oxalate Monohydrate (1 gram)	70

957082.901	Hangdown Wire (Sample Wire for Q5000IR/Q5000SA/Discovery TGA; Tare Wire for Q5000SA)	265
952040.901	Hangdown Wire (Tare Wire for Q5000IR and Discovery TGA; Sample Wire for Q500/Q50)	135
957381.001	Tube Load Q5000 IR Sample	55
957381.002	Tube Load Q5000 IR Reference	20
957341.901	TGA Weight Set (Calibrated)	165
957202.001	Crimping Die Set (for use with older standard press)	145
957250.901	Discovery TGA/Q5000 IR Autosampler Dust Cover with Light Guard	185

### TGA Q5000 SA Sample Pans (also suitable for use with the TGA-HP and VTI-SA Sorption Analyzers)

957210.902	Quartz Sample Pans (pkg. of 3) (requires Autosampler Tray P/N: 957216.901)	865
957210.903	Quartz Sample Pans, Metal Coated (pkg. of 3)	1,210
957207.903	Platinum Sample Pans, 50 µL (pkg. of 3) Note: Requires Tray Autosampler TGA - 25 Position P/N: 957099.901 for use with Q5000 SA.	760
957207.904	Platinum Sample Pans, 100 µL (pkg. of 3) Note: Requires Tray Autosampler TGA - 25 Position P/N: 957099.901 for use with Q5000 SA.5	85

### TGA Q5000 SA Replacement Parts

957216.901	Tray Autosampler Humidity Chamber - 10 position	790
957099.901	Tray Autosampler TGA - 25 Position (required for use with Platinum or Aluminum Pans)	1,070
957515.901	Loop Decoupler Kit	55
957082.901	Hangdown Wire (Sample Wire for Q5000IR/Q5000SA/Discovery TGA; Tare Wire for Q5000SA)	265
953260.901	TGA Heat Exchanger (for use with TGA Q5000/Q500/Q50 instruments) Note: Requires TGA Heat Exchanger Harness (P/N: 953176.901) for connection to the TGA Instrument.	4,460
953176.901	TGA Heat Exchanger Harness (for use with the TGA Heat Exchanger (P/N: 953260.901))	125
952377.901	Heat Exchanger Conditioning Kit (fungicide)	55

957381.003	Tube Load Q5000 SA Sample/Reference	30
957156.901	Replacement Sensor Kit for Humidity Chamber	525
957400.901	TGA Calibration Set (Calibrated) (for Q5000 IR and Q5000 SA)	1,480

### TGA Q500/Q50 Sample Pans (also suitable for use with the TGA-HP and VTI-SA Sorption Analyzers)

952323.902	Aluminum Sample Pans, 100 µL (pkg. of 12)	230
952018.907	Ceramic Sample Pans, 100 µL (pkg. of 3)	710
952018.909	Ceramic Sample Pans, 250 µL (pkg. of 3)	780
952018.910	Ceramic Sample Pans, 500 µL (pkg. of 3)	900
952018.908	Platinum Sample Pans, 50 µL (pkg. of 3)	735
952018.906	Platinum Sample Pans, 100 µL (pkg. of 3)	855

### TGA Q500/Q50 Replacement Parts

952040.901	Hangdown Wire (Tare Wire for Q5000 IR and Discovery TGA; Sample Wire for Q500/Q50)	135
952040.902	Tare Hangdown Wire	135
952040.903	Tare Hangdown Wire - Short (for use in the latest TGA Q500/Q50 without a Tare Access Cover)	130
952110.001	Sample Hangdown Wire Tube	125
952256.901	Kapton Hangdown Loop (strip of 10)	160
953208.901	Sample Thermocouple for QTGA	695
952240.901	Auto TGA Q500 Multiple Sample Tray Kit (includes three additional sample trays)	1,400
952434.901	Furnace Tube (quartz) with Seal Kit and Instructions for the EGA Furnace	1,610
953032.901	Replacement TGA Q500/Q50 Furnace	8,220
953260.901	TGA Heat Exchanger (for use with TGA Q5000/Q500/Q50 instruments) Note: Requires TGA Heat Exchanger Harness (P/N: 953176.901) for connection to the TGA Instrument.	4,460
953176.901	TGA Heat Exchanger Harness (for use with the TGA Heat Exchanger (P/N: 953260.901))	125
952377.901	Heat Exchanger Conditioning Kit (fungicide)	55

## Discovery TGA/Q5000/Q500/Q50/SDT Q600 Calibration and Test Materials

952541.902	TGA ICTAC Curie Point Reference Materials Kit for Discovery TGA and Q5000 IR <i>Note: Includes 0.5 gram each of the six ICTAC certified materials listed below.</i>	2,080
952541.901	TGA/SDT ICTAC Curie Point Reference Materials Kit <i>Note: Includes 0.5 gram each of the six ICTAC certified materials listed below.</i>	2,290
952500.901	Replacement ICTAC Certified Curie Point Reference Material 153°C	835
952504.901	Replacement ICTAC Certified Curie Point Reference Material 357°C	835
952508.901	Replacement ICTAC Certified Curie Point Reference Material 554°C	835
952512.901	Replacement ICTAC Certified Curie Point Reference Material 746°C	835
952516.901	Replacement ICTAC Certified Curie Point Reference Material 931°C	835
952520.901	Replacement ICTAC Certified Curie Point Reference Material 1116°C	835
952384.901	TGA/SDT Temperature Calibration Kit (Alumel and Nickel Reference Materials)	1,300
952385.901	Replacement Certified Nickel Reference Material (for kit P/N: 952384.901)	835
952398.901	Replacement Certified Alumel Reference Material (for kit P/N: 952384.901)	835
269931.001	100 mg Class 1 Precision Weight for TGA Weight Calibration	230
269931.002	1 gram Class E2 Precision Weight for TGA Weight Calibration	305
900905.901	Calcium Oxalate Monohydrate (1 gram)	70

## SDT Q600 Sample Pans

960072.901	Alumina Sample Cups, 40 µL (pkg. of 3)	170
960070.901	Alumina Sample Cups, 90 µL (pkg. of 3)	170
961060.901	Alumina Sample Cups, Disposable, 90 µL (pkg. of 20)	225
960239.901	Alumina Lids, (pkg. of 3) (for use with P/N: 960070.901 and P/N: 961060.901)	115
960148.901	Platinum Sample Cups, 40 µL (pkg. of 3)	345
960149.901	Platinum Sample Cups, 110 µL (pkg. of 3)	465

## SDT Q600 Replacement Parts

960034.901	Aluminum Oxide Reference Material, Calcined Alpha	75
960014.901	Calibration Weights Set	245
960017.901	Dual Beam Thermocouple Kit, SDT Q600	1,820
270198.015	O-Ring, Furnace Tube	20

## QTMA Thermomechanical Analyzer

945050.901	TMA Film/Fiber Accessory Kit <i>Note: Consists of film/fiber sample stage, film/fiber probe assembly, vial of cleaved aluminum balls, film clamp assemblies, film clamp fixture, jeweller's screwdriver, and film clamp screws.</i>	3,920
944202.901	Dilatometer Accessory Kit <i>Note: Consists of dilatometer probe assembly, three dilatometer sample vials, two vials of filling medium, and a vial of aluminum calibration standard.</i>	3,200
944203.902	Flexure Accessory Kit (for Q400 use; supplied with Q400 EM) <i>Note: Includes flexure probe assembly, flexure sample platform, and phase calibration fixture.</i>	2,490
945300.901	Mechanical Cooling Accessory - MCA70 (120V/60Hz): for use with QNX-based Q400 and Q400 EM <i>Note: For programmed or quench cooling of QNX-based Q400/Q400 EM TMA over temperature range of -70°C to 400°C. Sealed refrigeration system does not require liquid nitrogen.</i>	12,300
945300.902	Mechanical Cooling Accessory - MCA70 (220V/50Hz): for use with QNX-based Q400 and Q400 EM <i>Note: For programmed or quench cooling of QNX-based Q400/Q400 EM TMA over temperature range of -70°C to 400°C. Sealed refrigeration system does not require liquid nitrogen.</i>	12,300

## TMA Q400/Q400 EM Replacement Parts

944120.901	Sample Stage	855
944122.901	Standard Expansion Probe Assembly	1,990
944123.901	Macro-Expansion Probe Assembly	1,990
944124.901	Dilatometer Probe Assembly	1,990
941143.000	Dilatometer Sample Vial	270
944125.901	Hemispherical Probe Assembly	1,990
944126.901	Penetration Probe Assembly	1,990
944127.901	Flexure Probe Assembly	1,730
945045.901	3-Point Bending Calibration Fixture	205
941054.000	3-Point Bending Flexure Platform	395

944121.901	Film/Fiber Sample Holder	1,690
945051.901	Film/Fiber Probe Assembly	2,310
945052.901	Film/Fiber Upper Clamp	385
945053.901	Film/Fiber Lower Clamp	305
945054.001	Film Clamping Fixture	380
944330.901	Film Clamp Screws, #0-80 (pkg. of 10)	10
941038.901	Vial of Cleaved Aluminum Balls (for Film/Fiber Probe)	155
941148.901	Filling Medium (for Dilatometer Vial)	175
944341.901	Protective Quartz Disc for Sample Stage (pkg. of 20)	1,080
944344.902	TMA Thermocouple Kit	375

### TMA Q400/Q400 EM Calibration Materials

944217.901	Replacement Certified Aluminum Reference Material	840
915061.901	Replacement Certified Indium Reference Material	865
944206.901	TMA Certified Temperature and Dimension Calibration Kit	2,190

### OEM Instruments and Accessories

957349.901	Discovery TGA or Q5000 Mass Spectrometer Interface Kit (without library)	4,140
271001.002	Q500/Q50 Mass Spectrometer Interface Kit (without library)	3,900
271002.002	Q600 Mass Spectrometer Interface Kit (without library)	3,900
271003.001	Wiley/NIST Mass Spectrometer Library	12,500
957468.901	FTIR Adapter Kit for Discovery TGA or Q5000 IR Furnace	4,720
957481.901	Event Cable, FTIR	150
920307.901	Dual Trigger Cable, MS/FTIR to QTGA	440
957574.901	Dual MS/FTIR Interface Kit for Discovery TGA or Q5000 IR <i>Note: For use with TGA/MS Interface Kit, P/N: 957349.901.</i>	585

### Q Series Instrument Accessory Kits

970011.901	DSC Accessory Kit for Q2000/Q200 (supplied with Q2000/Q200 instrument)	1,300
970011.902	DSC Accessory Kit for Q20 (supplied with Q20 instrument)	1,300
970011.903	DSC Accessory Kit for Auto Q20 (supplied with Auto Q20 instrument)	1,300
957011.901	Q5000 IR Accessory Kit	6,400

957011.902	Q5000 SA Accessory Kit	5,590
952011.901	TGA Accessory Kit for Q500/Q50 (supplied with Q500/Q50 instruments) <i>Note: Contains 1 package of 100 µL platinum pans.</i>	3,520
961011.901	SDT Q600 Accessory Kit (included with SDT Q600 instrument)	2,610
944200.901	Accessory Kit Q400 (included with Q400/Q400 EM instruments) <i>Note: The Flexure Accessory Kit (P/N: 944203.901) is also supplied with the Q400 EM; a customer wanting to replace the entire Q400 EM Accessory Kit must purchase P/N: 945250.901.</i>	6,210
944203.902	Accessory Kit, Flexure for the Q400 instrument	2,490

### Common Thermal Analysis Tools and Accessories

910824.001	DSC Cell Cleaning Brush	35
259509.000	Spatula, Stainless Steel	80
259508.000	Tweezers, Brass	75
271580.001	Tweezers, Curved	45

### Common Consumables for TGA-HP and VTI-SA Sorption Analyzers

#### Sample Holders for TGA-HP and VTI-SA Sorption Analyzers

810026.901	Quartz Sample Holder (diameter = 12 mm) (for use with TGA-HP and VTI-SA)	195
810027.001	Quartz Sample Holder (flat bottom) (diameter = 12 mm) (for use with TGA-HP and VTI-SA)	180
810028.001	Aluminum Round Sample Holder (diameter = 12 mm; height = 5 mm) (for use with TGA-HP and VTI-SA)	145
810028.002	Aluminum Round Sample Holder (diameter = 25 mm; height = 5 mm) (for use with VTI-SA)	145
810029.001	Permeation Cell (diameter = 10 mm; height = 10 mm) (for use with VTI-SA)	330
820044.001	Aluminum Sample Holder, Glass Opening, Round (diameter = 12 mm) (for use with VTI-SA; requires P/N: 820047.001 Glass Covers)	170
820045.001	Aluminum Sample Holder, Glass Opening, Round (diameter = 25 mm) (for use with VTI-SA; requires P/N: 820048.001 Glass Covers)	170



820047.001	Glass Covers, 12 mm Diameter (pkg. of 700) (for use with P/N: 820044.001 Aluminum Sample Holder with Glass Opening)	830
820048.001	Glass Covers, 25 mm Diameter (pkg. of 160) (for use with P/N: 820045.001 Aluminum Sample Holder with Glass Opening)	190
820055.001	Alumina Crucible (OD = 12.7 mm, height = 25.4 mm) (for use with the TGA-HPs)	60
820055.002	Quartz Crucible Solid Bottom (OD = 12 mm, height = 27 mm) (for use with the TGA-HPs)	135

### Humidifier Wicks for SGA-100 and VTI-SA Sorption Analyzers

820346.901	SGA-100 Humidifier Wicks (pkg. of 30) (replacement humidifier wick consisting of a cotton wick over a supporting polypropylene rod)	405
820347.901	VTI-SA Humidifier Wicks (pkg. of 35) (replacement humidifier wick consisting of a cotton wick over a supporting polypropylene rod)	405

### Demonstration Materials for TGA-HP and VTI-SA Sorption Analyzers

820344.901	BPL Carbon Demonstration Material (demonstration material for use in the VTI-SA)	70
820345.901	NaCl Demonstration Material (demonstration material for use in the VTI-SA)	70
820343.901	PVP Demonstration Material (demonstration material for use in the VTI-SA)	70
820348.901	5A Zeolite Demonstration Material (demonstration material for use in the TGA-HP)	70



Discovery Refrigerated Cooling System (RCS90) with DSC Q2000

## DHR and AR Series Software

926404.901	Advantage Software (Thermal and Rheology)	11,600
925714.001	Software Advantage Navigator	2,210
925715.001	Enhanced Polymer Library for Advantage	4,390
595196.901	Software QCR/CSA II Script	2,670
595100.901	Software Rheology Solutions Archive	1,450
926018.001	LAOS and FT RHEOLOGY for TRIOS: Large Amplitude Oscillatory Shear and Fourier Transform Rheology Software for TRIOS	6,880
926019.001	Rheology Polymer Library for TRIOS: includes software for Molecular Weight Distribution Calculations	4,390

## Installation and Peltier Kits

250000.001	DHR & AR Rheometer Filter/Regulator	1,330
403209.901	Air Cooled Peltier Circulator (110/220VAC, 50/60 Hz): <i>Note: For use with DHR &amp; AR and ARES Rheometers</i>	1,730
403258.901	Peltier Circulator Thermocube Model 10-300 (115/230VAC, 50/60Hz) and Fittings for Rheometers <i>Note: For use with DHR, AR, and ARES-G2 Peltier Plate and Peltier Concentric Cylinder Systems. For use with DHR and AR UHP System along with the Combined Manifold (P/N: 554104.901). NOT FOR USE WITH LASER FLASH, XENON FLASH, OR HEAT FLOW METER INSTRUMENTS.</i>	4,020

## DHR & AR Rheometer Peltier Plates, Geometries, and Accessories

### Peltier Plate Temperature Options

533210.901	DHR & AR-Series Smart Swap Peltier Plate <i>Note: Temperature Range = 200°C. For AR-Series instruments require P/N: 533230.901.</i>	5,050
533209.901	DHR & AR-Series Smart Swap Advanced Peltier Plate	5,040
546502.901	DHR & AR-Series Dual-Stage Smart Swap Peltier Plate <i>Note: Temperature Range = -45°C to 200°C. For AR-Series instruments require P/N: 533232.901.</i>	8,360
533211.901	DHR & AR-Series Stepped Peltier with Screw-in Plate <i>Note: Temperature Range = 200°C. For AR-Series instruments require P/N: 533230.901.</i>	4,810
533212.901	DHR & AR-Series Smart Swap Disposable Stepped Peltier Plate <i>Note: Temperature Range = 200°C. For AR-Series instruments require Disposable Plate Shaft (P/N: 546319.901). For DHR/ARG2 requires Disposable Plate Shaft (P/N: 546320.901).</i>	4,810

547910.901	DHR & AR-Series Peltier Plate Immersion Cell <i>Note: Attaches to DHR &amp; AR-Series Smart Swap Peltier Plate. Allows testing of samples in parallel plate and cone and plate geometries while fully immersed in liquid.</i>	2,130
547902.901	DHR, AR-Series, and ARES-G2 Peltier Camera Viewer Option <i>Note: Camera viewer is NOT compatible with AR 2000 model.</i>	1,130
547901.901	DHR & AR-Series Peltier Plate Camera Viewer Mounting Kit <i>Note: Customer must supply USB Web camera. Camera viewer is NOT compatible with AR 2000 model.</i>	570
533230.901	AR Quick-Connect Plumbing Adapter (required for adapting newly purchased accessories to work with existing AR-Series instruments) (includes 2 small male fittings)	170
533231.901	AR to DHR Quick-Connect Plumbing Adapter (required for using existing accessories on a DHR instrument) (includes 2 large male fittings)	170
533232.901	DHR to AR Dual-Stage Peltier Quick-Connect Plumbing Adapter (required when using a Dual-Stage Peltier Plate (P/N: 546502.901) on an AR-Series instrument) (includes 2 small male fittings for large bore tubing)	170

## DHR Quick Change Plate Holders and Quick Change Plates

402751.902	DHR & AR-Series, ARES-G2, APS, Quick Change Plate Holder	370
402751.901	DHR & AR-Series, ARES-G2, APS, Quick Change Disposable Plate Holder	675
402493.901	DHR, Hard Anodized Aluminum, 20 mm, Quick Change Plate	370
402491.901	DHR, Stainless Steel, 20 mm, Quick Change Plate	345
402492.901	DHR, Stainless Steel, Cross Hatched, 20 mm, Quick Change Plate	395
402494.901	DHR, Stainless Steel, Sandblasted, 20 mm, Quick Change Plate	435

## DHR & AR-G2 Custom and Standard Geometry Adapters

532066.901	AR-XXX to DHR & AR-G2 Geometry Adapter Kit <i>Note: For use only with standard Peltier Plate geometries.</i>	760
545904.901	DHR & AR-G2 Rheometer Custom Geometry Adapter	1,620
545905.901	AR Rheometer Custom Geometry Adapter	1,420

### Stainless Steel Peltier Cone Geometries with No Solvent Trap (NST)

Note: Upper Cones for Use with Lower Peltier Plate.

511204.902	Stainless Steel, 20 mm, 1 deg Cone, NST	1,140
511206.902	Stainless Steel, 20 mm, 2 deg Cone, NST	1,140
511207.902	Stainless Steel, 20 mm, 4 deg Cone, NST	1,140

Note: Following Smart Swap geometries for use with DHR & AR-G2 only.

511204.906	DHR & AR-G2, Stainless Steel, 20 mm, 1 deg Cone, NST	1,470
511206.906	DHR & AR-G2, Stainless Steel, 20 mm, 2 deg Cone, NST	1,470
511207.906	DHR & AR-G2, Stainless Steel, 20 mm, 4 deg Cone, NST	1,470

### Stainless Steel Peltier Plate Geometries with No Solvent Trap (NST)

Note: Upper Plates for use with Lower Peltier Plate.

511080.902	Stainless Steel, 8 mm Plate, NST	1,140
511200.902	Stainless Steel, 20 mm Plate, NST	1,140
511250.902	Stainless Steel, 25 mm Plate, NST	1,140
517080.902	Stainless Steel, Cross Hatched, 8 mm Plate, NST	2,060
517200.902	Stainless Steel, Cross Hatched, 20 mm Plate, NST	2,220

Note: Following Smart Swap geometries for use with DHR & AR-G2 only.

511080.906	DHR & AR-G2, Stainless Steel, 8 mm Plate, NST	1,290
511120.906	DHR & AR-G2, Stainless Steel, 12 mm Plate, NST	1,290
511200.906	DHR & AR-G2, Stainless Steel, 20 mm Plate, NST	1,290
511250.906	DHR & AR-G2, Stainless Steel, 25 mm Plate, NST	1,290
517080.906	DHR & AR-G2, Stainless Steel, Cross Hatched, 8 mm Plate, NST	2,170
517200.906	DHR & AR-G2, Stainless Steel, Cross Hatched, 20 mm Plate, NST	2,400
519080.906	DHR & AR-G2, Stainless Steel, Sandblasted, 8 mm Plate, NST	1,680
519250.906	DHR & AR-G2, Stainless Steel, Sandblasted, 25 mm Plate, NST	1,710

### Stainless Steel Peltier Cone Geometries with Solvent Trap

Note: Upper Cones for use with Lower Peltier Plate.

511203.901	Stainless Steel, 20 mm, 0.5 deg Cone	1,180
511204.901	Stainless Steel, 20 mm, 1 deg Cone	1,180
511206.901	Stainless Steel, 20 mm, 2 deg Cone	1,180
511207.901	Stainless Steel, 20 mm, 4 deg Cone	1,180
511403.901	Stainless Steel, 40 mm, 0.5 deg Cone	1,230

511404.901	Stainless Steel, 40 mm, 1 deg Cone	1,230
511406.901	Stainless Steel, 40 mm, 2 deg Cone	1,230
511407.901	Stainless Steel, 40 mm, 4 deg Cone	1,230
511504.901	Stainless Steel, 50 mm, 1 deg Cone	1,250
511506.901	Stainless Steel, 50 mm, 2 deg Cone	1,250
511603.901	Stainless Steel, 60 mm, 0.5 deg Cone	1,270
511604.901	Stainless Steel, 60 mm, 1 deg Cone	1,270
511606.901	Stainless Steel, 60 mm, 2 deg Cone	1,270
511607.901	Stainless Steel, 60 mm, 4 deg Cone	1,270

Note: Following Smart Swap geometries for use with DHR & AR-G2 only.

511203.905	DHR & AR-G2, Stainless Steel, 20 mm, 0.5 deg Cone	1,600
511204.905	DHR & AR-G2, Stainless Steel, 20 mm, 1 deg Cone	1,600
511206.905	DHR & AR-G2, Stainless Steel, 20 mm, 2 deg Cone	1,600
511207.905	DHR & AR-G2, Stainless Steel, 20 mm, 4 deg Cone	1,600
511403.905	DHR & AR-G2, Stainless Steel, 40 mm, 0.5 deg Cone	1,600
511404.905	DHR & AR-G2, Stainless Steel, 40 mm, 1 deg Cone	1,600
511406.905	DHR & AR-G2, Stainless Steel, 40 mm, 2 deg Cone	1,600
511407.905	DHR & AR-G2, Stainless Steel, 40 mm, 4 deg Cone	1,600
511504.905	DHR & AR-G2, Stainless Steel, 50 mm, 1 deg Cone	1,670
511506.905	DHR & AR-G2, Stainless Steel, 50 mm, 2 deg Cone	1,670
511603.905	DHR & AR-G2, Stainless Steel, 60 mm, 0.5 deg Cone	1,670
511604.905	DHR & AR-G2, Stainless Steel, 60 mm, 1 deg Cone	1,670
511606.905	DHR & AR-G2, Stainless Steel, 60 mm, 2 deg Cone	1,670
511607.905	DHR & AR-G2, Stainless Steel, 60 mm, 4 deg Cone	1,670

### Stainless Steel Peltier Plate Geometries with Solvent Trap

Note: Upper Plates for use with Lower Peltier Plate.

511200.901	Stainless Steel, 20 mm Plate	1,180
511400.901	Stainless Steel, 40 mm Plate	1,230
511500.901	Stainless Steel, 50 mm Plate	1,250
511600.901	Stainless Steel, 60 mm Plate	1,270
517200.901	Stainless Steel, Cross Hatched, 20 mm Plate	2,310
517400.901	Stainless Steel, Cross Hatched, 40 mm Plate	2,490
519400.901	Stainless Steel, Sandblasted, 40 mm Plate	1,360
519600.901	Stainless Steel, Sandblasted, 60 mm Plate	1,400

Note: Following Smart Swap geometries for use with DHR & AR-G2 only.

511200.905	DHR & AR-G2, Stainless Steel, 20 mm Plate	1,600
511400.905	DHR & AR-G2, Stainless Steel, 40 mm Plate	1,650
511500.905	DHR & AR-G2, Stainless Steel, 50 mm Plate	1,670
511600.905	DHR & AR-G2, Stainless Steel, 60 mm Plate	1,670
517200.905	DHR & AR-G2, Stainless Steel, Cross Hatched, 20 mm Plate	2,490
517400.905	DHR & AR-G2, Stainless Steel, Cross Hatched, 40 mm Plate	2,600
517600.905	DHR & AR-G2, Stainless Steel, Cross Hatched, 60 mm Plate	2,800
519400.905	DHR & AR-G2, Stainless Steel, Sandblasted, 40 mm Plate	1,760
519600.905	DHR & AR-G2, Stainless Steel, Sandblasted, 60 mm Plate	1,780

### Stainless Steel Peltier Cone Geometries with Composite Heat Break

Note: Upper Cones for use with Lower Peltier Plate.

512206.902	Stainless Steel, Composite HB, 20 mm, 2 deg Cone, NST	1,970
512206.901	Stainless Steel, Composite HB, 20 mm, 2 deg Cone	1,790
512207.902	Stainless Steel, Composite HB, 20 mm, 4 deg Cone, NST	1,550
512207.901	Stainless Steel, Composite HB, 20 mm, 4 deg Cone	1,550
512406.901	Stainless Steel, Composite HB, 40 mm, 2 deg Cone	1,860
512407.901	Stainless Steel, Composite HB, 40 mm, 4 deg Cone	1,860
512606.901	Stainless Steel, Composite HB, 60 mm, 2 deg Cone	1,930
512607.901	Stainless Steel, Composite HB, 60 mm, 4 deg Cone	1,930

Note: Following Smart Swap geometries for use with DHR & AR-G2 only.

512206.906	DHR & AR-G2, Stainless Steel, Composite HB, 20 mm, 2 deg Cone, NST	2,130
512206.905	DHR & AR-G2, Stainless Steel, Composite HB, 20 mm, 2 deg Cone	2,130
512406.905	DHR & AR-G2, Stainless Steel, Composite HB, 40 mm, 2 deg Cone	2,190
512407.905	DHR & AR-G2, Stainless Steel, Composite HB, 40 mm, 4 deg Cone	2,190
512606.905	DHR & AR-G2, Stainless Steel, Composite HB, 60 mm, 2 deg Cone	2,330
512607.905	DHR & AR-G2, Stainless Steel, Composite HB, 60 mm, 4 deg Cone	2,330

### Stainless Steel Peltier Plate Geometries with Composite Heat Break

Note: Upper Plates for use with Lower Peltier Plate.

512080.902	Stainless Steel, Composite HB, 8 mm, NST	1,790
512200.902	Stainless Steel, Composite HB, 20 mm, NST	1,790

512200.901	Stainless Steel, Composite HB, 20 mm	1,790
512250.902	Stainless Steel, Composite HB, 25 mm, NST	1,790
512400.901	Stainless Steel, Composite HB, 40 mm	1,860
512600.901	Stainless Steel, Composite HB, 60 mm	1,930

Note: Following Smart Swap geometries for use with DHR & AR-G2 only.

512080.906	DHR & AR-G2, Stainless Steel, Composite HB, 8 mm, NST	2,070
512200.906	DHR & AR-G2, Stainless Steel, Composite HB, 20 mm, NST	2,070
512200.905	DHR & AR-G2, Stainless Steel, Composite HB, 20 mm	2,170
512250.906	DHR & AR-G2, Stainless Steel, Composite HB, 25 mm, NST	2,070
512400.905	DHR & AR-G2, Stainless Steel, Composite HB, 40 mm	2,400
512600.905	DHR & AR-G2, Stainless Steel, Composite HB, 60 mm	2,400

### Titanium Peltier Plate Geometries with Solvent Trap

Note: Upper Plates/Cones for use with Lower Peltier Plate.

520400.901	Titanium, 40 mm Plate	3,040
520600.901	Titanium, 60 mm Plate	3,220
520404.901	Titanium, 40 mm, 1 deg Cone	2,620
520406.901	Titanium, 40 mm, 2 deg Cone	2,620
520407.901	Titanium, 40 mm, 4 deg Cone	2,620
520604.901	Titanium, 60 mm, 1 deg Cone	2,800
520606.901	Titanium, 60 mm, 2 deg Cone	2,800
520607.901	Titanium, 60 mm, 4 deg Cone	2,800

Note: Following Smart Swap geometries for use with DHR & AR-G2 only. Titanium geometries have stainless steel shaft.

520400.905	DHR & AR-G2, Titanium, 40 mm Plate	2,590
520600.905	DHR & AR-G2, Titanium, 60 mm Plate	2,670
520604.905	DHR & AR-G2, Titanium, 60 mm, 1 deg Cone	2,720
520606.905	DHR & AR-G2, Titanium, 60 mm, 2 deg Cone	2,720

### Acrylic Peltier Cone Geometries with No Solvent Trap (NST)

Note: Upper Cones for use with Lower Peltier Plate. Maximum Use Temperature = 40°C.

516204.902	Acrylic, 20 mm, 1 deg Cone, NST	870
516206.902	Acrylic, 20 mm, 2 deg Cone, NST	870
516207.902	Acrylic, 20 mm, 4 deg Cone, NST	870



### Acrylic Peltier Plate Geometries with No Solvent Trap (NST)

Note: Upper Plates for use with Lower Peltier Plate.  
Maximum Use Temperature = 40°C.

516200.902	Acrylic, 20 mm Plate, NST	870
------------	---------------------------	-----

### Acrylic Peltier Cone Geometries with Solvent Trap

Note: Upper Cones for use with Lower Peltier Plate.  
Maximum Use Temperature = 40°C.

516204.901	Acrylic, 20 mm, 1 deg Cone	1,220
516206.901	Acrylic, 20 mm, 2 deg Cone	1,220
516207.901	Acrylic, 20 mm, 4 deg Cone	1,220
516404.901	Acrylic, 40 mm, 1 deg Cone	1,270
516406.901	Acrylic, 40 mm, 2 deg Cone	1,270
516407.901	Acrylic, 40 mm, 4 deg Cone	1,270
516604.901	Acrylic, 60 mm, 1 deg Cone	1,310
516606.901	Acrylic, 60 mm, 2 deg Cone	1,310
516607.901	Acrylic, 60 mm, 4 deg Cone	1,310

### Acrylic Peltier Plate Geometries with Solvent Trap

Note: Upper Plates for use with Lower Peltier Plate.  
Maximum Use Temperature = 40°C.

516200.901	Acrylic, 20 mm Plate	1,220
516400.901	Acrylic, 40 mm Plate	1,270
516600.901	Acrylic, 60 mm Plate	1,310
518200.901	Acrylic, Cross Hatched, 20 mm Plate	2,710
518400.901	Acrylic, Cross Hatched, 40 mm Plate	2,880

### Hard Anodized Aluminum (HA AL) Peltier Cone Geometries with Solvent Trap

Note: Upper Cones for use with Lower Peltier Plate.

513204.902	HA Aluminum, 20 mm, 1 deg Cone, NST	1,480
513204.901	HA Aluminum, 20 mm, 1 deg Cone	1,790
513206.902	HA Aluminum, 20 mm, 2 deg Cone, NST	1,480
513206.901	HA Aluminum, 20 mm, 2 deg Cone	1,790
513207.902	HA Aluminum, 20 mm, 4 deg Cone, NST	1,480
513207.901	HA Aluminum, 20 mm, 4 deg Cone	1,790
513404.901	HA Aluminum, 40 mm, 1 deg Cone	1,860

513406.901	HA Aluminum, 40 mm, 2 deg Cone	1,860
513407.901	HA Aluminum, 40 mm, 4 deg Cone	1,860
513604.901	HA Aluminum, 60 mm, 1 deg Cone	1,910
513606.901	HA Aluminum, 60 mm, 2 deg Cone	1,910
513607.901	HA Aluminum, 60 mm, 4 deg Cone	1,910

Note: Following Smart Swap geometries for use with DHR & AR-G2 only.

513204.905	DHR & AR-G2, HA Aluminum, 20 mm, 1 deg Cone	2,000
513206.905	DHR & AR-G2, HA Aluminum, 20 mm, 2 deg Cone	2,000
513207.905	DHR & AR-G2, HA Aluminum, 20 mm, 4 deg Cone	2,000
513404.905	DHR & AR-G2, HA Aluminum, 40 mm, 1 deg Cone	2,080
513406.905	DHR & AR-G2, HA Aluminum, 40 mm, 2 deg Cone	2,080
513407.905	DHR & AR-G2, HA Aluminum, 40 mm, 4 deg Cone	2,080
513603.905	DHR & AR-G2, HA Aluminum, 60 mm, 0.5 deg Cone	2,090
513604.905	DHR & AR-G2, HA Aluminum, 60 mm, 1 deg Cone	2,190
513606.905	DHR & AR-G2, HA Aluminum, 60 mm, 2 deg Cone	2,190
513607.905	DHR & AR-G2, HA Aluminum, 60 mm, 4 deg Cone	2,190

### Hard Anodized Aluminum (HA AL) Peltier Plate Geometries with Solvent Trap

Note: Upper Plate for use with Lower Peltier Plate.

513200.901	HA Aluminum, 20 mm Plate	1,790
513400.901	HA Aluminum, 40 mm Plate	1,860
513600.901	HA Aluminum, 60 mm Plate	1,910

Note: Following Smart Swap geometries for use with DHR & AR-G2 only.

513200.905	DHR & AR-G2, HA Aluminum, 20 mm Plate	2,000
513400.905	DHR & AR-G2, HA Aluminum, 40 mm Plate	2,020
513600.905	DHR & AR-G2, HA Aluminum, 60 mm Plate	2,080

### Solvent Trap, Purge Gas, Thermal, and Lower Plate Covers for Peltier Plate

529613.901	Hard Anodized Split Solvent Trap Cover and Location Ring	1,530
531070.901	Hard Anodized Aluminum Solvent Trap for Advanced Peltier Plate	2,280
529612.901	Peltier Plate Purge Gas Cover and Location Ring	2,540
517105.901	Insulated Solvent Trap Cover and Location Ring (for standard Peltier Plate - not for use with Stepped Peltier)	2,530

531035.901	Insulated Solvent Trap for Advanced Peltier Plate (includes Solvent Trap Cover and Location Ring)	2,530
529750.901	25 mm Plate Insulating Thermal Cover for Peltier Plate	3,540
545941.901	AR-G2 Peltier Plate Draft Shield	625
533240.901	DHR Peltier Plate Draft Shield	625
570059.901	Hard Anodized Aluminum Cover Plate (with Ring Adapter), Cross Hatched, 40 mm	2,740
570011.901	Hard Anodized Aluminum Cover Plate (with Ring Adapter), Cross Hatched, 60 mm	2,870
517040.901	Stainless Steel Cover Plate, Cross Hatched, 40 mm	2,710
517060.901	Stainless Steel Cover Plate, Cross Hatched, 60 mm	2,760
545430.901	Stainless Steel Peltier Plate Cover	1,420
545431.901	Stainless Steel Peltier Plate Cover, Raised Center, 20 mm	1,550
545433.901	Stainless Steel Peltier Plate Cover, Raised Center, 60 mm	1,650
545435.901	Titanium Peltier Plate Cover, Raised Center, 40 mm	2,830

### DHR and AR Rheometer Concentric Cylinders, Geometries, and Accessories

Note: HA AL = Hard Anodized Aluminum; SST = Stainless Steel.

### Peltier Concentric Cylinder Jacket for DHR & AR-G2 and AR 2000

533201.901	DHR & AR-Series Smart Swap Concentric Cylinder Peltier Jacket	6,040
------------	---	-------

Note: Does not include cup and rotor. Includes cover. For AR-Series instruments require P/N: 533230.901.

### DHR & AR-G2 Smart Swap Rotors for Concentric Cylinders

546011.901	DHR & AR-G2, HA Aluminum Conical DIN Rotor, Rad = 14 mm, Height = 42 mm	2,450
546016.901	DHR & AR-G2, HA Aluminum Recessed End Rotor, Rad = 14 mm, Height = 42 mm	2,450
546012.901	DHR & AR-G2, Stainless Steel, Conical DIN Rotor, Rad = 14 mm, Height = 42 mm	2,800
546009.901	DHR & AR-G2, Stainless Steel, Conical DIN Rotor, Sandblasted, Rad = 14 mm, Height = 42 mm	2,990
546017.901	DHR & AR-G2, Stainless Steel Recessed End Rotor, Rad = 14 mm, Height = 42 mm	2,800
546026.901	DHR & AR-G2, Stainless Steel Vaned Rotor, Rad = 14 mm, Height = 42 mm	2,800

546027.901	DHR & AR-G2, Wide Gap Vaned Rotor with Heat Break, Rad = 7.5 mm, Height = 38 mm	3,330
546048.901	DHR & AR-G2, Stainless Steel Double Gap Rotor, Inner Rad = 16 mm, Outer Rad = 17.5 mm, Height = 53 mm	2,450
546049.901	DHR & AR-G2, HA Aluminum Double Gap Rotor, Inner Rad = 16 mm, Outer Rad = 17.5 mm, Height = 53 mm	2,000
546021.901	AR-G2, Ver 1 HA Aluminum Double Gap Rotor, Inner Rad = 20.38 mm, Outer Rad = 21.96, Height = 59.5 mm	2,000
546022.901	AR-G2, Ver 1 Stainless Steel Double Gap Rotor, Inner Rad = 20.38 mm, Outer Rad = 21.96, Height = 59.5 mm	2,450

### AR 2000/AR 1XXX/AR 5XX Rotors for Concentric Cylinders

545012.001	HA Aluminum Conical DIN Rotor, Rad = 14 mm, Height = 42 mm	2,340
545023.001	HA Aluminum Recessed End Rotor, Rad = 14 mm, Height = 42 mm	2,340
545026.001	Stainless Steel, Conical DIN Rotor, Rad = 14 mm, Height = 42 mm	2,690
545027.001	Stainless Steel, Recessed End Rotor, Rad = 14 mm, Height = 42 mm	2,690
545025.001	Stainless Steel, Vaned Rotor, Rad = 14 mm, Height = 42 mm	2,200
545028.001	Wide Gap Vaned Rotor with Heat Break, Rad = 7.5 mm, Height = 38 mm	2,630
545662.001	HA Aluminum Double Gap Rotor, Inner Rad = 16 mm, Outer Rad = 17.5 mm, Height = 53 mm	1,680
545031.001	Ver 1 HA Aluminum Double Gap Rotor, Inner Rad = 20.38 mm, Outer Rad = 21.96, Height = 59.5 mm	1,680
545035.001	Ver 1 Stainless Steel, Double Gap Rotor, Inner Rad = 20.38 mm, Outer Rad = 21.96, Height = 59.5 mm	1,740
545660.001	Stainless Steel, Double Gap Rotor, Inner Rad = 16 mm, Outer Rad = 17.5 mm, Height = 53 mm	2,450

### DHR & AR-G2/AR 2000/AR 1500 Peltier Concentric Cylinder Cups

545700.901	HA Aluminum Standard Concentric Cylinder Cup with Cap for DHR & AR-Series Peltier Jacket	2,240
545696.901	Stainless Steel, Standard Concentric Cylinder Cup with Cap for DHR & AR-Series Peltier Jacket	2,270
546046.901	DHR & AR-G2, Stainless Steel, Single Gap Cup, Sandblasted, Rad = 15.2 mm	2,580
546050.901	HA Aluminum Double Gap Concentric Cylinder Cup, Inner Rad = 15.1 mm, Outer Rad = 18.5 mm for DHR & AR-Series Peltier Jacket	2,490

545612.901	Ver 1 HA Aluminum Double Gap Concentric Cylinder Cup (Inner Rad = 20.00 mm, Outer Rad = 22.38 mm) for DHR & AR-Series Peltier Jacket	2,490
545613.901	Ver 1 Stainless Steel Double Gap Concentric Cylinder Cup (Inner Rad = 20.00 mm, Outer Rad = 22.38 mm) for DHR & AR-Series Peltier Jacket	2,690
546045.901	Stainless Steel Double Gap Concentric Cylinder Cup (Diameter = 30.4 mm, Outer Rad = 18.5 mm) for DHR & AR-Series Peltier Jacket	2,640
545626.001	Split Cover for DHR & AR-Series Smart Swap Peltier Concentric Cylinders	1,690
545615.901	HA Aluminum Large Diameter Concentric Cylinder Cup (Rad = 22 mm) for DHR & AR-Series Peltier Jacket	1,660
545642.001	Stainless Steel Blank Plug for DHR & AR-Series Peltier Jacket Double Gap Cup	1,010
545610.901	HA Aluminum Grooved Concentric Cylinder Cup for DHR & AR-Series Peltier Jacket	5,010
545666.901	HA Aluminum Starch Rotor Concentric Cylinder Cup (Rad = 18.5 mm) for DHR & AR-Series Peltier Jacket	2,380
545609.901	Peltier Concentric Cylinder Solvent Trap <i>Note: Not for use with Double Wall Concentric Cylinder system.</i>	1,130

### Circulators (Computer Controlled)

500020.901	Computer Controlled Circulator, Model FP35HE US For use with CSA II and AR 1000/AR550 Concentric Cylinders.	8,950
575004.901	Computer Controlled Circulator, Model FP35HE UK For use with CSA II and AR 1000/AR550 Concentric Cylinders.	9,730

### UHP Upper Heated Plates, EHP Electrically Heated Plates, Geometries, and Accessories

#### UHP and Dry Asphalt Systems

545803.901	DHR & AR-G2 Upper Heated Plate System (for use with Peltier Plate)	9,140
533213.901	Dry Asphalt System for DHR and AR-G2	11,700
545815.901	DHR & AR-G2 Upper Heated Plate Smart Swap Geometry Shaft and Heat Spreader	1,790

545801.901	AR 2000/AR 1500 Upper Heated Plate System (for use with Peltier Plate) <i>Note: AR 2000 Instruments with serial numbers prior to 4F.... will require UHP Mounting Kit and Installation, P/N: 545805.901, at an additional cost (price includes installation by TA Service Engineer). Option requires Advantage Software (P/N: 926404.901). AR 2000 Rheometers with serial numbers 6D3066 and below require calibration cable P/N: 552025.001, sold separately.</i>	8,840
545802.901	AR 2000/AR 1500 Dry Asphalt system <i>Note: AR 2000 Instruments with serial numbers prior to 4F.... will require UHP Mounting Kit and Installation, P/N: 545805.901, at an additional cost (price includes installation by TA Service Engineer). Option requires Advantage Software (P/N: 926404.901). AR 2000 Rheometers with serial numbers 6D3066 and below require calibration cable P/N: 552025.001, sold separately.</i>	10,700
545808.901	DHR & AR-Series UHP and Dry Asphalt Low Temperature Cooling Option <i>Note: This cooling option is required when cooling with fluid circulator below temperatures of 5°C. Customer must supply fluid circulator.</i>	875
545807.901	DHR & AR-Series UHP and Dry Asphalt Standard Cooling Option <i>Note: This cooling option is required when cooling with fluid circulator above temperatures of 5°C. Customer must supply fluid circulator.</i>	1,250
545809.901	DHR & AR-Series UHP and Dry Asphalt Vortex Cooler <i>Note: Requires Low Temperature Cooling Option P/N: 545808.901.</i>	1,850
545805.901	AR 2000 (ONLY) UHP/EHP/Dry Asphalt Mounting Kit and Installation	2,780
545810.901	AR 2000/AR 1500 UHP/EHP Upper Disposable Plate Holder <i>Note: Plates sold separately, see ETC Disposable Plates section.</i>	1,900
546201.901	DHR & AR-G2 Smart Swap UHP/EHP Upper Disposable Plate Holder <i>Note: Not compatible with UTS.</i>	2,810
545878.901	AR-G2 UHP Heat Flow Calibration Kit	1,650
545811.901	Replacement EHP, UHP, and Dry Asphalt System Geometry Shaft with Heat Spreader (for use with upper screw-in plates)	1,680
552025.001	AR 2000 (ONLY) Temperature Calibration Cable	65
554104.901	DHR & AR-Series Combined UHP and Peltier Manifold <i>Note: For use over temperature range of 5 to 90°C. Requires chilling circulator with water circulation fluid controlled at 2°C.</i>	2,180

#### EHP Electrically Heated Plate Kits

533206.901	DHR & AR-G2 Electrically Heated Plate System <i>Note: Max Temperature = 400°C. Includes 25 mm stainless steel plates.</i>	15,200
533207.901	DHR & AR-G2 Electrically Heated Disposable Plate System <i>Note: Max Temperature = 400°C. Includes five sets of 25 mm drip channel disposable plates.</i>	14,100

546106.901	DHR & AR-G2 Add-On Disposable Plate Accessory for EHP Note: Includes parts necessary to convert Electrically Heated Plate System, P/N: 533206.901, for disposable plate use. Includes five sets of 25 mm drip channel disposable plates.	6,200
546104.901	AR 2000ex and AR 1500ex Electrically Heated Plate System Note: Max Temperature = 400°C. Includes 25 mm stainless steel plates. AR 2000 Instruments with serial numbers prior to 4F.... will require UHP Mounting Kit and Installation, P/N: 545805.901, at an additional cost (price includes installation by TA Service Engineer). Option requires Advantage Software (P/N: 926404.901).	14,100
546105.901	AR 2000ex and AR 1500ex Electrically Heated Disposable Plate System Note: Max Temperature = 400°C. Includes five sets of 25 mm drip channel disposable plates. AR 2000 Instruments with serial numbers prior to 4F.... will require UHP Mounting Kit and Installation, P/N: 545805.901, at an additional cost (price includes installation by TA Service Engineer). Option requires Advantage Software (P/N: 926404.901).	14,100
546107.901	AR 2000ex and AR 1500ex Add-On Disposable Plate Accessory for EHP Note: Includes parts necessary to convert Electrically Heated Plate System, P/N: 546104.901, for disposable plate use. Includes five sets of drip channel disposable plates.	6,200
546109.901	EHP Glass Purge Cover (maximum use temperature = 300°C)	1,810
546127.901	DHR and AR EHP GCA Kit (cooling down to -70°C)	1,500
991400.902	Gas Cooling Accessory for DMA Q800, AR-Series EHP, and DHR	13,100
546153.901	DHR & AR EHP-GCA Transformer (220/240V to 110/120V) (ROW)	725
546152.901	DHR & AR EHP-GCA Transformer (220/240V to 110/120V) (UK ONLY)	665

### DHR & AR-G2 EHP and UHP Stainless Steel Smart Swap Upper (Upper Temperature Sensor) UTS Geometries

Note: UTS upper Smart Swap Geometries are for use with UTS Draw Rod and lower screw-in plates. UTS and UTS geometries are required for patented Active Temperature Control of upper plate. This feature is available only with TA Instruments DHR & AR-G2 EHP and UHP Temperature Systems.

546202.901	DHR & AR-G2, Stainless Steel, 8 mm Upper UTS Plate (use with P/N: 546240.001)	2,210
546220.901	DHR & AR-G2, Stainless Steel, 20 mm Upper UTS Plate (use with P/N: 546261.001)	2,210
546203.901	DHR & AR-G2, Stainless Steel, 25 mm Upper UTS Plate (use with P/N: 546241.001)	2,210
546204.901	DHR & AR-G2, Stainless Steel, 40 mm Upper UTS Plate (use with P/N: 546242.001)	2,210
546210.901	DHR & AR-G2, Stainless Steel, 25 mm 0.1 Rad Upper UTS Cone (use with P/N: 546241.001)	2,210
546208.901	DHR & AR-G2, Stainless Steel, 25 mm 0.04 Rad Upper UTS Cone (use with P/N: 546241.001)	2,210

546206.901	DHR & AR-G2, Stainless Steel, 25 mm 0.02 Rad Upper UTS Cone (use with P/N: 546241.001)	2,210
546205.901	DHR & AR-G2, Stainless Steel, 25 mm 1 deg Upper UTS Cone (use with P/N: 546241.001)	2,210
546207.901	DHR & AR-G2, Stainless Steel, 25 mm 2 deg Upper UTS Cone (use with P/N: 546241.001)	2,210
546209.901	DHR & AR-G2, Stainless Steel, 25 mm 4 deg Upper UTS Cone (use with P/N: 546241.001)	2,210
546216.901	DHR & AR-G2, Stainless Steel, 40 mm 0.1 Rad Upper UTS Cone (use with P/N: 546242.001)	2,210
546214.901	DHR & AR-G2, Stainless Steel, 40 mm 0.04 Rad Upper UTS Cone (use with P/N: 546242.001)	2,210
546212.901	DHR & AR-G2, Stainless Steel, 40 mm 0.02 Rad Upper UTS Cone (use with P/N: 546242.001)	2,210
546211.901	DHR & AR-G2, Stainless Steel, 40 mm 1 deg Upper UTS Cone (use with P/N: 546242.001)	2,210
546213.901	DHR & AR-G2, Stainless Steel, 40 mm 2 deg Upper UTS Cone (use with P/N: 546242.001)	2,210
546215.901	DHR & AR-G2, Stainless Steel, 40 mm 4 deg Upper UTS Cone (use with P/N: 546242.001)	2,210
546014.901	DHR & AR-G2, Upper Temperature Sensor Draw Rod Note: For use with EHP and UHP temperature systems. Requires UTS geometries. UTS drawrod comes standard with EHP and UHP temperature systems ONLY.	2,020

### Electrically Heated Plate, Upper Heated Plate, and Dry Asphalt System Screw-in Plates

Note: Screw-in Parallel Plates for use with the following Systems: 1) DHR & AR-G2 EHP: Lower Plate only, 2) AR 2000/1500ex EHP upper and lower, 3) DHR & AR-G2, AR 2000 and AR 1500ex UHP with Standard Peltier Plate: Upper plate Only, and 4) DHR & AR-G2, AR 2000/ex and AR 1500ex Dry Asphalt System: For upper and lower use (two of these parts are required to replace both upper and lower). 4 mm, 8 mm, and 25 mm plates also compatible with Stepped Peltier. These plates are constructed with flats and are used with the flat plate removal wrench.

546241.001	Stainless Steel, 25 mm Screw-in Parallel Plate for EHP, UHP, and Dry Asphalt	450
546261.001	Stainless Steel, 20 mm Screw-in Parallel Plate for EHP, UHP, and Dry Asphalt	450
546242.001	Stainless Steel, 40 mm Screw-in Parallel Plate for EHP, UHP, and Dry Asphalt	450
546239.001	Stainless Steel, 4 mm Screw-in Parallel Plate for EHP, UHP, and Dry Asphalt	450
546240.001	Stainless Steel, 8 mm Screw-in Parallel Plate for EHP, UHP, and Dry Asphalt	450



546259.001	Stainless Steel, 8 mm Cross Hatched Screw-in Parallel Plate for EHP, UHP, and Dry Asphalt	725
546255.001	Stainless Steel, 25 mm Cross Hatched Screw-in Parallel Plate for EHP, UHP, and Dry Asphalt	785
546256.001	Stainless Steel, 40 mm Cross Hatched Screw-in Parallel Plate for EHP, UHP, and Dry Asphalt	815
546265.001	Stainless Steel, 8 mm Sandblasted Screw-in Parallel Plate for EHP, UHP, and Dry Asphalt	450
546266.001	Stainless Steel, 25 mm Sandblasted Screw-in Parallel Plate for EHP, UHP, and Dry Asphalt	450
546267.001	Stainless Steel, 40 mm Sandblasted Screw-in Parallel Plate for EHP, UHP, and Dry Asphalt	450
546248.001	Stainless Steel, 25 mm, 0.1 rad, Screw-in Cone for AR 2000/ex, AR 1500ex EHP, and UHP	450
546246.001	Stainless Steel, 25 mm, 0.04 rad, Screw-in Cone for AR 2000/ex, AR 1500ex EHP, and UHP	450
546244.001	Stainless Steel, 25 mm, 0.02 rad, Screw-in Cone for AR 2000/ex, AR 1500ex EHP, and UHP	450
546243.001	Stainless Steel, 25 mm, 1 deg, Screw-in Cone for AR 2000/ex, AR 1500ex EHP, and UHP	450
546245.001	Stainless Steel, 25 mm, 2 deg, Screw-in Cone for AR 2000/ex, AR 1500ex EHP, and UHP	450
546247.001	Stainless Steel, 25 mm, 4 deg, Screw-in Cone for AR 2000/ex, AR 1500ex EHP, and UHP	450
546254.001	Stainless Steel, 40 mm, 0.1 rad, Screw-in Cone for AR 2000/ex, AR 1500ex EHP, and UHP	450
546252.001	Stainless Steel, 40 mm, 0.04 rad, Screw-in Cone for AR 2000/ex, AR 1500ex EHP, and UHP	450
546250.001	Stainless Steel, 40 mm, 0.02 rad, Screw-in Cone for AR 2000/ex, AR 1500ex EHP, and UHP	450
546249.001	Stainless Steel, 40 mm, 1 deg, Screw-in Cone for AR 2000/ex, AR 1500ex EHP, and UHP	450
546251.001	Stainless Steel, 40 mm, 2 deg, Screw-in Cone for AR 2000/ex, AR 1500ex EHP, and UHP	450
546253.001	Stainless Steel, 40 mm, 4 deg, Screw-in Cone for AR 2000/ex, AR 1500ex EHP, and UHP	450

## ETC Environmental Test Chamber, Air Chiller Systems, Kits, Geometries, and Gas Manifolds

ETC system requires the chamber and one or more Accessory Kits. The flow meter kit, P/N: 543311.901, is required if cooling accessory is not specified.

### ETC Environmental Test Chambers and Air Chiller Systems

543401.901	AR-G2 and AR 2000ex Environmental Test Chamber <i>Note: Maximum Temperature = 600°C.</i>	12,300
533501.901	DHR Environmental Test Chamber (ETC) <i>Note: Maximum Temperature = 600°C.</i>	12,300
543501.901	AR-G2 and AR 2000ex ETC Oven Camera Viewer Option	9,290
533208.901	DHR ETC Oven Camera Viewer Option	9,290
405001.901	ACS-2 Air Chiller System (220-230VAC/60 Hz) <i>Note: Requires DHR ETC Air Chiller Panel (P/N: 404040.901) for operation.</i>	21,400
405001.902	ACS-2 Air Chiller System (220-230VAC/50 Hz) <i>Note: Requires DHR ETC Air Chiller Panel (P/N: 404040.901) for operation.</i>	21,400
405000.901	ACS-3 Air Chiller System (220-230VAC/60 Hz) <i>Note: Requires DHR ETC Air Chiller Panel (P/N: 404040.901) for operation.</i>	26,600
405000.902	ACS-3 Air Chiller System (220-230VAC/50 Hz) <i>Note: Requires DHR ETC Air Chiller Panel (P/N: 404040.901) for operation.</i>	26,600
404040.901	DHR ETC Air Chiller Panel (for use with ACS-2 and ACS-3 Air Chiller Systems)	5,840

### DHR & AR-G2 ETC Kits

543407.901	DHR & AR-G2 ETC Torsion Clamp Accessory Kit <i>Note: Includes clamps for rectangular solid samples. Maximum Sample Size: Length = 50 mm, Width = 13 mm, Thickness = 5 mm.</i>	7,580
547905.901	DHR & AR-G2 ETC Torsion Cylindrical Clamp Accessory Kit <i>Note: Includes collets to accommodate rods 1.5, 3, and 4.5 mm in diameter. Maximum Sample Length = 40 mm.</i>	9,840
543408.901	DHR & AR-G2 ETC Disposable Parallel Plate Accessory Kit	6,390
543406.901	DHR & AR-G2 ETC Parallel Plate Accessory Kit <i>Note: Includes 25 mm stainless steel parallel plates. All other geometries purchased separately.</i>	5,340
543409.901	DHR & AR-G2 ETC Pressure Sensitive Adhesives Accessory Kit <i>Note: Includes 8 and 25 mm stainless steel parallel plates. All other geometries purchased separately.</i>	6,260
543410.901	DHR & AR-G2 ETC Asphalt Parallel Plate Accessory Kit <i>Note: Includes 8 and 25 mm stainless steel parallel plates and silicone asphalt molds.</i>	5,390

## DHR & AR-G2 ETC Stainless Steel Smart Swap Upper Single Piece Geometries

543602.901	DHR & AR-G2, Stainless Steel, 4 mm ETC Plate (use with P/N: 527040.904)	1,180
543601.901	DHR & AR-G2, Stainless Steel, 8 mm ETC Plate (use with P/N: 527080.904)	1,180
543606.901	DHR & AR-G2, Stainless Steel, 25 mm ETC Plate (use with P/N: 527250.904)	1,180
543611.901	DHR & AR-G2, Stainless Steel, 40 mm ETC Plate (use with P/N: 527400.903)	1,180
543641.901	DHR & AR-G2, Stainless Steel, 25 mm Cross Hatched ETC Plate (use with P/N: 527250.906)	2,130
543642.901	DHR & AR-G2, Stainless Steel, 40 mm Cross Hatched ETC Plate (use with P/N: 527400.905)	2,130
543651.901	DHR & AR-G2, Stainless Steel, 25 mm, 0.1 rad, ETC Cone (use with P/N: 527250.904)	1,600
543652.901	DHR & AR-G2, Stainless Steel, 25 mm, 0.04 rad, ETC Cone (use with P/N: 527250.904)	1,600
543661.901	DHR & AR-G2, Stainless Steel, 25 mm, 2 deg, ETC Cone (use with P/N: 527250.904)	1,600
543662.901	DHR & AR-G2, Stainless Steel, 25 mm, 4 deg, ETC Cone (use with P/N: 527250.904)	1,600
543671.901	DHR & AR-G2, Stainless Steel, 40 mm, 2 deg, ETC Cone (use with P/N: 527400.903)	1,600
543672.901	DHR & AR-G2, Stainless Steel, 40 mm, 4 deg, ETC Cone (use with P/N: 527400.903)	1,600
543681.901	DHR & AR-G2, Stainless Steel, Upper ETC Smart Swap Torsion Geometry	1,600

## AR 2000 ETC Kits

543307.901	AR 2000 ETC Torsion Clamp Accessory Kit <i>Note: Includes clamps for rectangular solid samples. Maximum Sample Size: Length = 50 mm, Width = 13 mm, Thickness = 5 mm.</i>	7,530
543708.901	AR 2000 ETC Disposable Parallel Plate Accessory Kit	6,370
543706.901	AR 2000 ETC Parallel Plate Accessory Kit <i>Note: Includes 25 mm stainless steel parallel plates. All other geometries purchased separately.</i>	5,270
543709.901	AR 2000 ETC Pressure Sensitive Adhesives Accessory Kit <i>Note: Includes 8 and 25 mm stainless steel parallel plates. All other geometries purchased separately.</i>	6,200

543710.901	AR 2000 ETC Asphalt Parallel Plate Accessory Kit <i>Note: Includes 8 and 25 mm stainless steel parallel plates and silicone asphalt molds.</i>	5,340
------------	---	-------

## AR 2000 ETC Stainless Steel Upper Single Piece Geometries

543329.901	AR 2000, Stainless Steel, 4 mm Upper ETC Plate (use with P/N: 527040.904)	950
543336.001	AR 2000, Stainless Steel, 8 mm Upper ETC Plate (use with P/N: 527080.904)	950
543330.001	AR 2000, Stainless Steel, 25 mm Upper ETC Plate (use with P/N: 527250.904)	950
543331.001	AR 2000, Stainless Steel, 40 mm Upper ETC Plate (use with P/N: 527400.903)	950
543337.001	AR 2000, Stainless Steel, 25 mm Cross Hatched ETC Plate (use with P/N: 527250.906)	1,900
543338.001	AR 2000, Stainless Steel, 40 mm Cross Hatched ETC Plate (use with P/N: 527400.905)	1,900
543351.001	AR 2000, Stainless Steel, 25 mm, 0.1 rad, ETC Cone (use with P/N: 527250.904)	1,130
543352.001	AR 2000, Stainless Steel, 25 mm, 0.04 rad, ETC Cone (use with P/N: 527250.904)	1,130
543361.001	AR 2000, Stainless Steel, 25 mm, 2 deg, ETC Cone (use with P/N: 527250.904)	1,130
543362.001	AR 2000, Stainless Steel, 25 mm, 4 deg, ETC Cone (use with P/N: 527250.904)	1,130
543371.001	AR 2000, Stainless Steel, 40 mm, 2 deg, ETC Cone (use with P/N: 527400.903)	1,250
543372.001	AR 2000, Stainless Steel, 40 mm, 4 deg, ETC Cone (use with P/N: 527400.903)	1,250
543339.901	AR 2000, Upper Torsion Shaft	1,510

## Stainless Steel Stepped (lower) and Non-Stepped (upper) Screw-in ETC Plates

*Note: For Use with Upper ETC Shaft (AR 2000 P/N: 543319.901, AR 1000/550 P/N: 543112.901). Parts compatible with ETM upper shaft.*

527040.904	Stainless Steel, 4 mm Stepped Lower ETC Plate (use with single piece upper shaft/geometries, or use two of this part number if using upper screwed shaft)	585
527080.904	Stainless Steel, 8 mm Stepped Lower ETC Plate (use with single piece upper shaft/geometries, or use two of this part number if using upper screwed shaft)	155

527250.903	Stainless Steel, 25 mm Non-Stepped Upper ETC Plate (use with lower screw-in plate P/N: 527250.904)	155
527250.904	Stainless Steel, 25 mm Stepped Lower ETC Plate (use with single piece upper shaft/geometries, or use with upper screw-in plate P/N: 527250.903 and upper screwed shaft)	155
527400.903	Stainless Steel, 40 mm ETC Plate, use for upper and lower (use one with single piece upper shaft P/N: 543331.001, or two required if used with upper screwed shaft)	155
527250.905	Stainless Steel, Cross Hatched, 25 mm Non-Stepped Upper ETC Plate (use with lower screw-in plate P/N: 527250.906)	350
527250.906	Stainless Steel, Cross Hatched, 25 mm Stepped Lower ETC Plate (use with single piece upper shaft/geometries, or use with upper screw-in plate P/N: 527250.905 if using upper screwed shaft)	350
527400.905	Stainless Steel, Cross Hatched 40 mm ETC Plate, use for upper and lower (use with single piece upper shaft/geometries, or use two of this part number if using upper screwed shaft)	350

### Hard Anodized Aluminum Stepped (lower) and Non-Stepped (upper) ETC Plates

Note: For use with upper ETC shaft (AR 2000 P/N: 543319.901, AR 1000/550 P/N: 543112.901 and/or lower ETC fixture.

526080.904	HA Aluminum, 8 mm Stepped Lower ETC Plate (2 required)	75
526250.903	HA Aluminum, 25 mm Non-Stepped Upper ETC Plate (use with P/N: 526250.904)	115
526250.904	HA Aluminum, 25 mm Stepped Lower ETC Plate (use with P/N: 526250.903)	115
526400.903	HA Aluminum, 40 mm ETC Plate, use for upper and lower (2 required)	75

### Aluminum Disposable Plates for ETC/EHP/UHP and Disposable Stepped Peltier

Note: For use with upper ETC shaft (AR 2000 P/N: 543334.901, AR 1000/550 P/N: 543319.901) or ETM upper shaft.

543334.901	Upper Disposable Plate Shaft (for AR 2000/ex and AR 1500)	830
523250.927	Aluminum, 25 mm Disposable Plates (pkg. of 100)	1,080
523400.927	Aluminum, 40 mm Disposable Plates (pkg. of 100)	1,290
523080.937	Aluminum, 8 mm Disposable Plates (pkg. of 20)	310
523200.917	Aluminum, 20 mm Disposable Plates (pkg. of 10)	310
523250.937	Aluminum, 25 mm Disposable Plates (pkg. of 20)	310
523400.937	Aluminum, 40 mm Disposable Plates (pkg. of 20)	310

523250.928	Aluminum, 25 mm Disposable Plates (with Drip Channel) (pkg. of 100)	1,410
523250.938	Aluminum, 25 mm Disposable Plates (with Drip Channel) (pkg. of 20) Note: Required for EHP and UHP upper and lower systems.	435

### Stainless Steel Disposable Plates for ETC/EHP/UHP and Disposable Stepped Peltier

Note: For use with upper ETC shaft (AR 2000 P/N: 543334.901, AR 1000/550 P/N: 543319.901) or ETM upper shaft.

527080.937	Stainless Steel, 8 mm Disposable Plates (pkg. of 20)	335
527250.937	Stainless Steel, 25 mm Disposable Plates (pkg. of 20)	385
527250.938	Stainless Steel, 25 mm Disposable Plates (with Drip Channel) (pkg. of 20) Note: Required for EHP and UHP upper and lower systems.	555
527400.937	Stainless Steel, 40 mm Disposable Plates (pkg. of 20)	1,260

### ETC/EHP Accessories

543097.911	ETC Melt Rings for 25 mm Lower Stepped ETC Plate (pkg. of 50)	475
578904.001	Brass Scraper (for cleaning plates)	80
578905.001	Brass Brush (for cleaning plates)	15

### ETC Flow Meter and Low Temp Kits for DHR & AR-G2/AR 2000/AR 1000/AR550

543311.901	DHR & AR-Series ETC Flow Meter Kit	450
543313.901	DHR & AR-Series Low Temperature Fittings with LN2 Dewar	11,600
543312.901	DHR & AR-Series Low Temperature Fittings without LN2 Dewar	4,390

### AR-Series ETM/ETC Plates and Cones Aluminum Stepped Upper Cone Geometry for ETM (compatible with ETC)

Note: For use with upper ETC shaft (AR 2000 P/N: 543112.901, AR 1000/550 P/N: 543319.901). For correct operation cones require a matched plate (e.g. P/N: 523406.903 4 cm 2 deg cone requires P/N: 523400.903 4 cm plate).

523206.904	Aluminum, 20 mm, 2 deg Cone for ETC and ETM	185
523207.904	Aluminum, 20 mm, 4 deg Cone for ETC and ETM	185
526253.903	Aluminum, 25 mm, 0.5 deg Cone for ETC and ETM	205
526254.903	Aluminum, 25 mm, 1 deg Cone for ETC and ETM	205
526256.903	Aluminum, 25 mm, 2 deg Cone for ETC and ETM	205



526257.903	Aluminum, 25 mm, 4 deg Cone for ETC and ETM	500
523406.903	Aluminum, 40 mm, 2 deg Cone for ETC and ETM	405
523407.903	Aluminum, 40 mm, 4 deg Cone for ETC and ETM	405
523408.901	Aluminum, 40 mm, 5.6 deg Cone for ETC and ETM	405

### Aluminum Stepped Plates Cone Geometry for ETM (compatible with ETC)

Note: ETM stepped plates are compatible with ETC. However, they are NOT anodized and are only available in stepped version.

523200.904	Aluminum, 20 mm ETM Plate, Stepped (compatible with ETC)	115
523250.904	Aluminum, 25 mm ETM Plate, Stepped (compatible with ETC)	130
523400.903	Aluminum, 40 mm ETM Plate, Stepped (compatible with ETC)	105

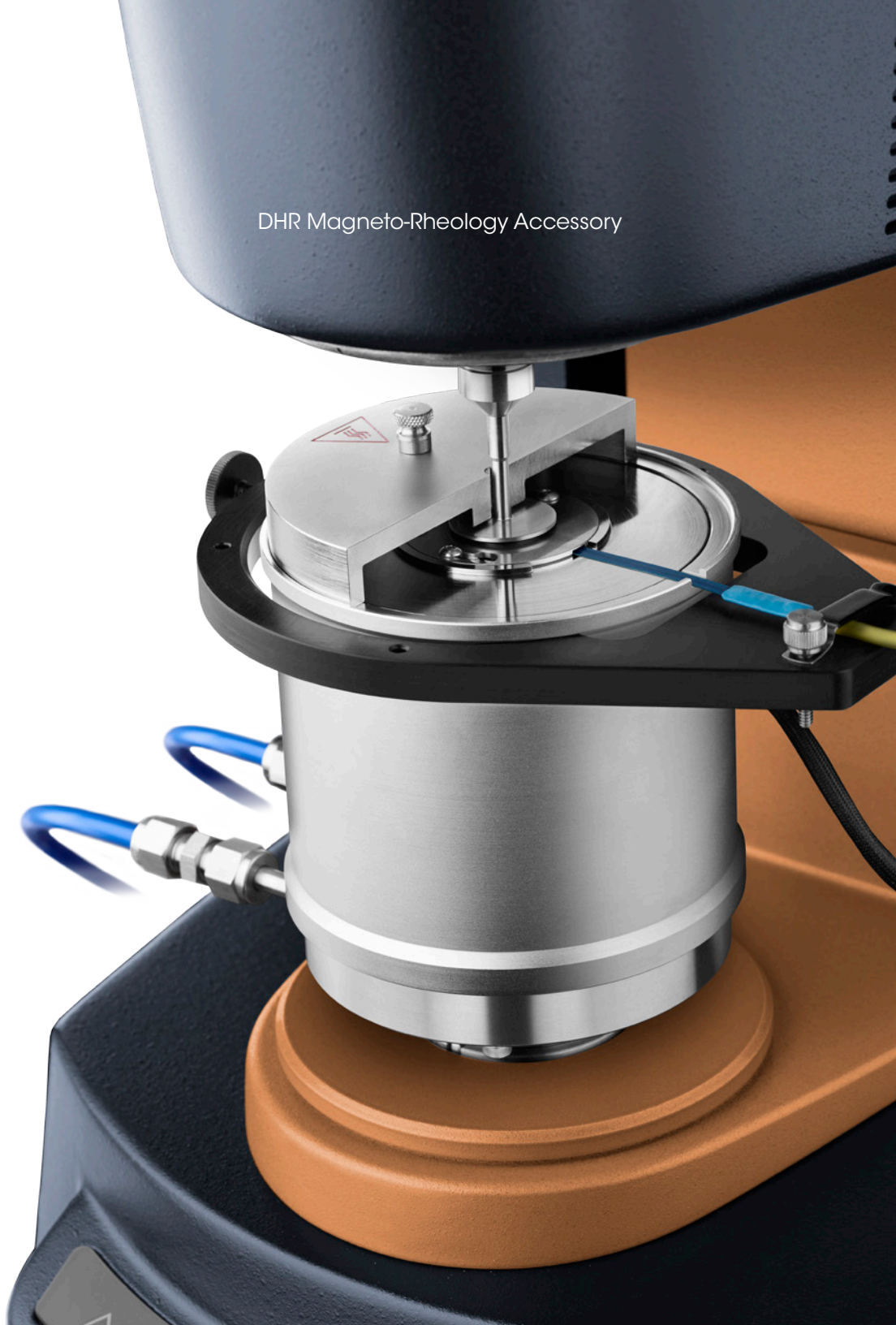
### DHR & AR-Series Specialty Geometries and Accessories

#### DHR Modular Microscope Accessory (MMA)

546810.901	DHR Modular Microscope Accessory (MMA)	33,500
546814.901	DHR Counter-Rotating Optics Plate Accessory	10,200
546812.901	DHR Optics Plate Thin Cover Glass Kit	1,850
546815.901	DHR MMA Piezo Scanner 100 $\mu$ m	10,100
203274.001	DHR MMA Fluorescence Splitter	1,850
203273.001	DHR MMA Objective 20X Long Working Distance	2,370
203183.001	DHR MMA Objective 40X Long Working Distance	3,090
203135.001	DHR MMA Objective 20X Short Working Distance	515
203170.001	DHR MMA Objective 50X Short Working Distance, Oil	980
203171.001	DHR MMA Objective 100X Short Working Distance, Oil	980

#### DHR Magneto-Rheology Accessory

547100.901	DHR Magneto-Rheology Accessory	16,400
547106.901	DHR Magneto-Rheology Closed Loop Field Kit	3,300
547107.901	DHR Magneto-Rheology Extended Temperature Kit	1,080
547110.901	DHR Magneto-Rheology Parallel Plate, 20 mm, Stainless Steel	1,830
547111.901	DHR Magneto-Rheology Cone, 20 mm, 2 deg, Stainless Steel	1,940
547112.901	DHR Magneto-Rheology Lower Plate	285
547114.901	DHR Magneto-Rheology Field Probe	360
595007.901	Computer Controlled Circulator, Wide Range (115V/60Hz)	9,790





595007.902	Computer Controlled Circulator, Wide Range (230V/50Hz)	9,790
203349.001	Thermal C5 Low Temperature Circulator Fluid (-35 °C to 110 °C)	1,160
203350.001	Thermal C20S High Temperature Circulator Fluid (0 °C to 200 °C)	1,230

### DMA Mode for DHR Rheometers

926021.001	DMA Mode for DHR Rheometers	5,150
533890.901	DHR 3-Point Bending Clamp Accessory Kit	5,670
533892.901	DHR Cantilever Bending Clamp Accessory Kit	5,670
533894.901	DHR Film/Fiber Tension Accessory Kit	5,670

### DHR & AR-G2 Immobilization Cell Accessory

547920.901	DHR & AR-G2 Immobilization Cell Accessory	6,900
547962.001	Replacement Sieve for Immobilization Cell	580

### DHR & AR-G2 Building Materials Cell

533246.901	DHR & AR-G2, Stainless Steel Building Materials Cell Cup with Slotted Cage	5,840
533247.901	DHR & AR-G2, Stainless Steel Building Materials Cell Paddle	4,610
533264.901	DHR & AR-G2, Replacement Stainless Steel Building Materials Cell Slotted Cage (use with P/N: 533246.901)	2,810

### DHR & AR-G2 Tribo-Rheometry Accessory

533242.901	Tribo-Rheometry Accessory Base Kit	1,190
533279.901	DHR & AR-G2, Tribo-Rheometry Coupling Adapter, Short	205
533279.902	DHR & AR-G2, Tribo-Rheometry Coupling Adapter, Long	595
533273.901	Tribo-Rheometry, Single Ball Upper Geometry Holder, Medium	595
533273.902	Tribo-Rheometry, Single Ball Upper Geometry Holder, Short	545
533273.903	Tribo-Rheometry, Single Ball Upper Geometry Holder, Long	595
533283.901	Tribo-Rheometry, Ring on Plate Upper Geometry Holder	280
533290.901	Tribo-Rheometry, 3 Balls on Plate Upper Geometry Holder	215
533249.901	Tribo-Rheometry, 5/16" Truncated SST Balls (pkg. of 12)	875
533250.901	Tribo-Rheometry, 1/2" SST Balls (pkg. of 25)	105
533284.901	Tribo-Rheometry, Ring Upper Geometry (pkg. of 3)	290
533274.901	Tribo-Rheometry, Ball on 3 Balls Lower Geometry	1,190
533281.901	Tribo-Rheometry, SST Cup 45 mm Lower Geometry (pkg. of 2)	235

533282.901	Tribo-Rheometry, 3 Plates Lower Geometry	380
533291.901	Tribo-Rheometry, Ball on 3 Plates SST Test Plates (pkg. of 30)	680
523400.907	Aluminum, 40 mm Disposable Plate	25
533300.901	DHR & AR-G2, ETC, Tribo-Rheometry Lower Geometry Holder	1,470
531336.901	DHR & AR-G2 to AR2000ex Tribo-Rheometry Geometry Adapter Sleeve	115

### DHR Optics Plate Accessory

546800.901	Optics Plate Accessory	4,530
546800.902	Optics Plate Accessory with Camera	7,590
546801.901	Optics Plate Accessory Replacement Glass Plates and O-rings	225
546802.901	DHR & AR-G2, Stainless Steel, 40 mm Parallel Plate, Mirror Finish	2,130
546803.901	DHR & AR-G2, Stainless Steel, 40 mm Upper UTS Plate, Mirror Finish	2,740

### DHR Dielectric Accessory (for use with the HR-3, HR-2, and HR-1 Discovery Hybrid Rheometers)

546601.901	DHR Dielectric Accessory: requires appropriate geometries and customer-supplied LCR meter	3,830
546602.901	DHR 25 mm Upper Dielectric Geometry: for use with the DHR Dielectric Accessory (P/N: 546601.901)	2,120
546603.901	DHR 25 mm Lower Dielectric Geometry: for use with the DHR Dielectric Accessory (P/N: 546601.901)	4,180
546610.901	DHR Upper Dielectric Disposable Geometry: for use with the DHR Dielectric Accessory (P/N: 546601.901)	3,830
546615.901	DHR Lower Dielectric Disposable Geometry: for use with the DHR Dielectric Accessory (P/N: 546601.901)	3,280
613.04946	Keysight E4980A LCR Meter for ARES-G2, RSA-G2, and DHR DETA: frequency range: 20 Hz. to 2 MHz.; AC test signal (potential) 0.005 to 20 Volts (115/230V; 50/60 Hz.)	28,700
203330.001	Keysight E4980AL/120 LCR Meter for ARES-G2, RSA-G2, and DHR DETA: frequency range: 20 Hz to 1 MHz; AC test signal (potential) 0.001 to 2 Volts (115/230V; 50/60 Hz)	12,200

### DHR Electro-Rheology Accessory (for use with the HR-3, HR-2, and HR-1 Discovery Hybrid Rheometers)

546701.901	DHR Electro-Rheology Accessory (110V)	30,700
546701.902	DHR Electro-Rheology Accessory (220V)	30,700
546761.901	DHR Electro-Rheology, Parallel Plate, 25 mm	3,070
546705.901	DHR Electro-Rheology, Parallel Plate, 40 mm	3,070

546762.901	DHR Electro-Rheology, 25 mm DIN Rotor	3,900
545630.902	DHR Electro-Rheology, Stainless Steel Concentric Cylinders Cup, 30 mm diameter	2,790
595006.901	DHR Electro-Rheology Dress Cover Grounding Retro-Fit Kit	240

### DHR & AR-Series Torsion Immersion

545618.901	DHR & AR-Series Smart Swap Torsion Immersion Kit <i>Note: Requires Peltier Fluid Jacket P/N: 533201.901.</i>	7,840
------------	---	-------

### DHR & AR-Series Generic Container Holder

547004.901	DHR & AR-Series Generic Container Holder <i>Note: Suitable for containers with OD in the range of 30 to 80 mm.</i>	2,870
------------	---	-------

### DHR & AR-Series Blank Smart Swap Base

531056.901	DHR & AR-Series Blank Smart Swap Base	1,530
------------	---------------------------------------	-------

### DHR & AR-G2/AR 2000 Pressure Cell

533214.901	DHR & AR-G2/AR 2000 Pressure Cell <i>Note: Requires Smart Swap Peltier Concentric Cylinder Jacket P/N: 533201.901. For AR-Series instruments require P/N: 533230.901.</i>	23,400
402828.901	Starch Rotor for DHR & AR-G2/AR 2000 Pressure Cell (P/N: 533214.901)	2,840
402815.901	Vane Rotor for DHR & AR-G2/AR 2000 Pressure Cell (P/N: 533214.901)	2,180

### DHR & AR-Series Smart Swap Starch Pasting Cell and Replacement Parts

545702.901	DHR & AR-G2, Starch Pasting Cell	10,200
545712.901	DHR & AR-G2, Replacement Rotor for Starch Pasting Cell	1,920
545713.901	DHR & AR-G2, HA Aluminum Conical Rotor For Starch Pasting Cell	2,400
545701.901	AR 2000/ex and AR 1500, Starch Pasting Cell	9,940
545723.001	Replacement Cup for Starch Pasting Cell	370
545751.001	AR 2000/ex and AR 1500, Replacement Rotor for Starch Pasting Cell	1,530
545761.001	AR 2000/ex and AR 1500, HA Aluminum Conical Rotor for Starch Pasting Cell	2,130

### DHR & AR UV-Curing Option

546301.901	DHR-3, DHR-2 & AR-Series, UV Light Guide Accessory without UV Light Source	17,500
533217.901	DHR-3, DHR-2 & AR-Series, 365 mm LED UV-Curing Accessory <i>Note: For AR-Series instruments require P/N: 533230.901.</i>	15,100
533218.901	DHR-3, DHR-2 & AR-Series, 455 mm LED Blue Light Curing Accessory <i>Note: For AR-Series instruments require P/N: 533230.901.</i>	14,400
546303.901	DHR-3, DHR-2 & AR-Series, UV Light Guide Accessory with UV Light Source	34,300
546384.901	UV-Curing Accessory Plate Rubber Ring Plate Guards	125
546319.901	AR 2000ex, Stainless Steel, Disposable Plate Shaft for UV Accessories	905
546320.901	DHR-3, DHR-2 & AR-G2, Stainless Steel, Smart Swap Disposable Plate Shaft for UV Accessories	1,060
403153.001	20 mm Quartz Plate for ARES and AR UV-Curing Option <i>Note: For use with the upper plate fixture of ARES-UV option and the lower plate fixture of DHR / AR-UV option.</i>	425
403064.901	20 mm diameter Disposable Acrylic Plates (pkg. of 10) <i>Note: For use with the upper plate fixture of ARES-UV option and the lower plate fixture of DHR / AR-UV option.</i>	385
200400.001	Replacement 5 mm diameter light guide for ARES and AR UV-Curing and Photo-Curing Options	1,740
935014.901	PCA/UV External Filter Adapter Accessory Kit (allows use of external filters with the PCA P/N: 935000.901)	2,360
935009.001	Filter, External, 320 - 480 nm (for the Omnicure S-2000 with external filter adapter)	1,030
935009.002	Filter, External, 320 - 390 nm (for the Omnicure S-2000 with external filter adapter)	1,030
935009.004	Filter, External, 400 - 500 nm (for the Omnicure S-2000 with external filter adapter)	1,980
935009.003	Filter, External, 365 nm (for the Omnicure S-2000 with external filter adapter)	1,140

### DHR & AR-Series Smart Swap Interfacial Rheology Systems and Accessories

545907.901	DHR-3, DHR-2 & AR-G2, Double Wall Ring Interfacial (DWR) Rheology System: includes DWR Pt/Ir Ring Geometry and Delrin Trough with fluid level monitor and fluid injection port. <i>Note: Option require standard Peltier Plate P/N: 533210.901. For AR-Series instruments requires P/N: 533230.901.</i>	13,700
545950.001	DHR-3, DHR-2 & AR-G2, Double Wall Ring, Platinum-Ir (replacement ring - does NOT include geometry holder)	4,020

545908.901	DHR-3, DHR-2 & AR-G2, Double Wall Ring Window Kit	295
545903.901	DHR & AR-G2, Smart Swap Interfacial Bicone Accessory	3,920
545909.901	DHR-3, DHR-2 & AR-G2, Double Wall Du Nouy Ring (DDR) Interfacial Rheology System <i>Note: Option requires standard Peltier Plate P/N: 533210.901. For AR-Series instruments require P/N: 533230.901.</i>	4,950
530021.001	DHR-3, DHR-2 & AR-G2, PT-IR Du Nouy Ring Geometry for Dynamic Interfacial System (replacement ring - does NOT include geometry holder)	1,290
545901.901	Interfacial Viscosity Bicone System for AR 2000/ex and AR 1500. <i>Note: Includes 80 mm inner diameter Teflon cup, 68 mm diameter and 10° angle stainless steel bicone geometry, and cover</i>	3,800
545922.001	45 mm Diameter Teflon Interfacial Cup for AR-G2 and AR 2000	790
545931.001	34 mm 10 deg Stainless Steel Bicone Geometry	1,060
578155.001	Sample - Vessel 70 mm diameter (glass-cup)	55

### DHR & AR-Series Smart Swap Asphalt Submersion Cell

554103.901	DHR & AR-Series Smart Swap Asphalt Submersion Cell	7,840
------------	--	-------

### Quartz Geometries

524400.902	Quartz, 40 mm Parallel Plate (for AR 2000, AR 1000, and AR 550 Only)	2,040
------------	---	-------

### Ambient Disposable Plate System

*Note: Clip-on system for AR 1000 and AR 550 Peltier Plate; temperature is NOT controlled by the Peltier Plate.*

545290.901	Upper Ambient Disposable Plate Shaft	1,570
545291.901	Lower Ambient Disposable Plate Holder	1,790
545299.901	Set of Ambient 40 mm Diameter Disposable Plates	165
545300.901	Disposable Plate R/T 20 mm	205

### Air Supply Accessories From US (AR-Series and CSL)

250000.001	Filter/Regulator	1,330
250000.002	0.01 micron replacement filter element for use with P/N: 250000.001	160
250000.003	5 micron replacement filter element for use with P/N: 250000.001	70
500030.901	Membrane Compressed Air Dryer	1,470

### Air Supply Accessories From UK (AR-Series and CSL)

545420.901	Replacement Oil Filter Element, Red (for use with P/N: 545415.901)	480
500030.901	Membrane Compressed Air Dryer	1,470
575016.901	AR-Series Oil-Free Compressor (240V/50 Hz)	6,130

### DHR & AR-G2 and AR 2000ex SALS Accessory

533222.901	DHR-3, DHR-2 & AR-Series SALS Accessory <i>Note: For AR-Series instruments require P/N: 533230.901.</i>	28,500
546418.901	Quartz 50 mm Plate	2,070
546417.901	DHR-3, DHR-2 & AR-G2 Quartz 50 mm Plate	2,180
546484.001	SALS Polystyrene Alignment Material	570
546483.001	SALS Neutral Density Filter Kit	570

### DHR & AR-G2 and AR 2000ex SER3 and SER2 Universal Testing Platform

547906.901	SER3 Universal Testing Platform for DHR & AR	22,900
200974.002	SER3 and SER2 Standard Drum Pair for DHR & AR	830
200975.002	SER3 and SER2 Knurled Surface Drum Pair Set for DHR & AR	1,380
200976.002	SER3 and SER2 Rough Surface Drum Pair Set for DHR & AR	1,380
200977.002	Securing Clamps for DHR & AR SER3/2 and ARES-G2 SER3 (pkg. of 6)	375
200978.001	SER3 and SER2 Dual Blade Cutter Assembly	1,800
200979.001	Razor Blades for SER3 and SER2 Dual Blade Cutter Assembly (pkg. of 50)	115

### DHR & AR-G2 and AR Helical Tools

546018.901	DHR & AR-G2 Stainless Steel Helical Rotor	6,310
546019.901	AR Stainless Steel Helical Rotor	6,310
546093.001	Helical Cup, HA Aluminum (diameter = 34 mm, height = 50 mm)	2,290

### DHR Manifold Mounting Adapter

533235.901	DHR Manifold Mounting Adapter	325
------------	-------------------------------	-----

## DHR & AR-Series, CSA, and CSA II Asphalt Accessories

### Cylindrical Torsion

543033.001	Asphalt Cylindrical Torsion End Pieces	355
------------	--	-----

### Automated Temperature Calibration

554024.901	DHR & AR-Series Automated Asphalt Temperature Calibration Kit <i>Note: Requires PC with USB port and Rheology Advantage Software Version 5.7.</i>	1,380
------------	--	-------

### CSA and CSA II Accessories, DHR & AR Asphalt Submersion Cell

554003.901	Asphalt Submersion Cell Replacement Filter Material, 1 Package	20
554004.901	Replacement Asphalt Submersion Cell Plate Removal Tool	245
585062.901	Asphalt Submersion Cell Maintenance Kit	370
554012.901	Asphalt Submersion Cell Water Valve (48 volt)	1,090
554007.901	Asphalt Sample Molds, 1 Pair	120

### Asphalt Submersion Cell Parallel Plates

*Note: Screw-in Parallel Plates for use with following Systems: 1) CSA/CSA II: Lower Plate only, 2) DHR & AR-Series Asphalt Submersion Cell. These plates are constructed with four holes with plate removal.*

554001.901	Stainless Steel, 8 mm Screw-in Parallel Plates for Asphalt Submersion Cel	650
554008.901	Stainless Steel, 12 mm Screw-in Parallel Plates for Asphalt Submersion Cell	650
554002.901	Stainless Steel, 25 mm Screw-in Parallel Plates for Asphalt Submersion Cell	650
554019.902	HA Aluminum, 8 mm Screw-in Parallel Plates for Asphalt Submersion Cell	630
554020.902	HA Aluminum, 25 mm Screw-in Parallel Plates for Asphalt Submersion Cell	630

### Peltier, UHP, Dry Asphalt System Replacement Parts

952377.901	Fungicide for Peltier Reservoir	55
532067.901	DHR & AR-Rheometer Vibration Isolation Pads	220

## Stainless Steel Sample Trimming Tools

545852.001	3 mm UHP Plate Trimming Tool (for use with Standard Peltier Plate)	115
545851.001	6 mm UHP Dry Asphalt System Trimming Tool (for use with Stepped Peltier)	115

## Standard Oils

250024.001	Low Viscosity Standard Oil (S60) ~ 100 mPa.s (cP) @ 25°C	135
250024.002	High Viscosity Standard Oil (S600) ~ 1100 mPa.s (cP) @ 25°C	135
201261.001	DSR Standard N2700000SP Standard Oil	515

## Rheology Text Books

575105.901	A Handbook of Elementary Rheology, Howard A. Barnes	80
575103.901	Introduction to Rheology, H.A. Barnes, J.F. Hutton and K. Walters	135



DMA Mode



# Rheology - ARES

## ARES-G2 Software

402010.901	Orchestrator Polymer Library	4,390
926018.001	LAOS and FT RHEOLOGY for TRIOS: Large Amplitude Oscillatory Shear and Fourier Transform Rheology Software for TRIOS	6,880
926019.001	Rheology Polymer Library for TRIOS: includes software for Molecular Weight Distribution Calculations	4,390
251471.002	DSL Router with 4-Port Switch: for communication between an external controller and Thermal and Rheology instruments.	180

## ARES FCO Temperature Control Option

### FCO Temperature Control System and Options

401892.901	ARES-G2 and RSA-G2 Forced Convection Oven FCO	28,700
401041.901	ARES-G2 and RSA-G2 FCO LN2 Controller	20,000
401798.901	ARES to ARES-G2 LN2 Upgrade Kit	3,330
401711.901	ARES-G2 and RSA-G2 FCO Camera	11,300
401070.901	Heat Shield for ARES-G2 Forced Convection Oven	1,030
402164.901	ARES-G2 and RSA-G2 Chiller Panel <i>Note: Requires Customer-Supplied Chiller.</i>	9,770
405001.901	ACS-2 Air Chiller System (220-230VAC/60Hz) <i>Note: Requires ARES-G2 &amp; RSA-G2 FCO Air Chiller Panel (P/N: 404041.901) for operation.</i>	21,400
405001.902	ACS-2 Air Chiller System (220-230VAC/50Hz) <i>Note: Requires ARES-G2 &amp; RSA-G2 FCO Air Chiller Panel (P/N: 404041.901) for operation.</i>	21,400
405000.901	ACS-3 Air Chiller System (220-230VAC/60Hz) <i>Note: Requires ARES-G2 &amp; RSA-G2 FCO Air Chiller Panel (P/N: 404041.901) for operation.</i>	26,600
405000.902	ACS-3 Air Chiller System (220-230VAC/50Hz) <i>Note: Requires ARES-G2 &amp; RSA-G2 FCO Air Chiller Panel (P/N: 404041.901) for operation.</i>	26,600
404041.901	ARES-G2 & RSA-G2 FCO Air Chiller Panel (for use with ACS-2 and ACS-3 Air Chiller Systems)	6,900

## FCO Geometry Bundles and Sample Preparation Kit

402319.901	ARES FCO Melt Rheology Geometry Bundle; includes: Torsion Rectangular Fixture (P/N: 403220.901) Stainless Steel, 25 mm parallel plates (Two of P/N: 401981.901) Stainless Steel 25 mm 0.1 rad Cone (P/N: 402317.901) <i>Note: Compatible with ARES Classic Instruments.</i>	10,000
401035.901	ARES FCO Advanced Melt Rheology Add-On Geometry Bundle; includes: Designed for use with Melt Rheology Geometry Bundle Stainless Steel 50 mm Parallel Plates (Two of P/N: 401968.901) Stainless Steel 25 mm Serrated Plates (Two of P/N: 401.00512.1) Stainless Steel 50 mm 0.04 rad Cone (P/N: 401963.901) <i>Note: Compatible with ARES Classic Instruments.</i>	7,920
402323.901	ARES FCO Thermoset Testing Geometry Bundle; includes: Torsion Rectangular Fixture (P/N: 403220.901) Disposable Plate Fixture (Two of P/N: 402303.901) One Pair 8 mm Aluminum Disposable Plates One Pair 25 mm Aluminum Disposable Plates <i>Note: Compatible with ARES Classic Instruments. Additional disposable plates sold separately.</i>	8,610
402331.901	ARES-G2 Melt Sample Preparation Kit; includes: 8 mm, 25 mm punch and die set (to 3 mm thick) Aluminum scraping tool for trimming sample Brass brush for cleaning plates Precision knife for sample trimming Polymer Pellet Melt Ring for 25 mm diameter Upper Cones and Plates <i>Note: Compatible with ARES Classic Instruments.</i>	3,860

## FCO Torsion Rectangular and Torsion Cylindrical Geometries

403220.901	ARES-G2 Torsion Rectangular Clamp Set	5,620
402560.901	ARES-G2 Torsion Cylindrical Clamp Set (sample holder diameters: 1.5, 3, and 4.5 mm)	6,310
403220.902	ARES Classic Torsion Rectangular Clamp Set (Ver 1 through 8)	5,620

## FCO Specialty Fixtures

403165.901	ARES EVF, Extensional Viscosity Fixture <i>Note: ARES Classic requires 2KFRT transducer.</i>	18,100
403074.901	ARES EVF, Replacement Drum Pins, One Set	595
403076.901	ARES EVF, Sample Mold and Plates	570
708.01440	ARES Linear Tack Testing Tool	5,770

402333.901	ARES Recessed End Ambient Couette: includes 25 mm diameter Titanium Bob, 27 mm diameter Stainless Steel Cup and PRT. <i>Note: For ARES-G2 and ARES Classic Rheometers.</i>	5,620
------------	--	-------

402800.901	ARES-G2, Cone Partitioned Plate Geometry for FCO	13,700
------------	--	--------

### ARES-G2 Peltier Plate Temperature Control Option

#### Peltier Plate Temperature Control System

401014.901	ARES-G2 Smart Swap Peltier Plate <i>Note: Requires Environmental Control Box (P/N: 401949.901) and appropriate Peltier Circulator.</i>	19,100
------------	---	--------

401949.901	ARES-G2 Environmental Control Box <i>Note: Required for Peltier Plate Temperature Control.</i>	4,940
------------	---	-------

#### ARES Solvent Trap Accessory and Solvent Trap Geometries

402280.901	ARES Peltier Plate Solvent Trap Accessory (requires use of solvent trap geometries P/N's: 402274.901, 402278.901). <i>Note: For use with ARES Classic and ARES-G2 Smart Swap Peltier Plates ONLY.</i>	5,740
------------	--	-------

402278.901	ARES, Stainless Steel, 25 mm, Solvent Trap, Cross Hatched, Parallel Plate	2,870
------------	---	-------

#### ARES Peltier Circulators for Peltier Systems (Peltier Plate and APS)

403209.901	Air Cooled Peltier Circulator (110/220V, 50/60Hz): for DHR & AR and ARES Rheometers	1,730
------------	---	-------

403258.901	Peltier Circulator Thermocube Model 10-300 (115/230VAC, 50/60Hz) and Fittings for Rheometers <i>Note: For use with DHR, AR, and ARES-G2 Peltier Plate and Peltier Concentric Cylinder Systems. For use with DHR and AR UHP System along with the Combined Manifold (P/N: 554104.901). NOT FOR USE WITH LASER FLASH, XENON FLASH, OR HEAT FLOW METER INSTRUMENTS.</i>	4,020
------------	---	-------

### ARES-G2 Sealed Bath Temperature Control Option

#### Sealed Bath Temperature Control System

401015.901	ARES-G2, Smart Swap Sealed Bath <i>Note: Compatible with ARES Classic Rheometer. This part number replaces the ARES Classic Sealed Bath P/N: 700.03382.8.</i>	13,800
------------	--	--------

401060.901	ARES Classic to ARES-G2 Sealed Bath Upgrade Kit <i>Note: For use on the ARES-G2 Rheometer: Includes Smart Swap cable and new plastic cover required for upgrading ARES Classic Sealed Bath (P/N: 700.03382.8).</i>	895
------------	---	-----

### ARES Computer Controlled Circulators Sealed Bath

403197.901	ARES, Computer Controlled Circulator (110V, 60Hz) <i>Note: Use for temperature control of Sealed Recirculating Bath (P/N: 401015.901).</i>	8,330
------------	---	-------

403197.902	ARES, Computer Controlled Circulator (230V, 50Hz) <i>Note: Use for temperature control of Sealed Recirculating Bath (P/N: 401015.901).</i>	8,330
------------	---	-------

### ARES-G2 Sealed Bath Geometry Bundles and Couettes

402328.901	ARES, Sealed Bath Fluid Rheology Geometry Bundle: for ARES-G2 and ARES Classic Rheometers: includes 50 mm Titanium Upper Plate and Stainless Lower Parallel Plate, Titanium Upper 50 mm 0.04 rad Cone, and recessed end Couette with 34 mm diameter Cup and 32 mm diameter Bob.	10,000
------------	---	--------

402330.901	ARES, Sealed Bath Advanced Fluids Rheology Geometry Bundle: for ARES-G2 and ARES Classic Rheometers: includes 25 mm diameter Titanium Upper Plate and Stainless Lower Parallel Plate, Titanium 25 mm diameter 0.04 rad Cone, and small volume recessed end Couette with 17 mm diameter Stainless Steel Cup and 16.5 mm diameter Titanium Bob.	7,580
------------	---	-------

401995.901	ARES, Sealed Bath Recessed End Couette: includes 32 mm diameter Titanium Bob with Recessed End and 34 mm diameter Stainless Steel Cup.	4,020
------------	--	-------

401996.901	ARES, Sealed Bath Small Volume Recessed End Couette: includes 16.5 mm diameter Titanium Bob and 17 mm diameter Stainless Steel Cup.	3,680
------------	---	-------

401997.901	ARES, Sealed Bath Double Wall Couette: includes 34 mm OD/27.95 mm ID Stainless Steel Cup; 32 mm OD/29.5 mm ID Titanium Bob.	6,310
------------	---	-------

708.01228	ARES, Stainless Steel 18 mm Vaned Bob: for use with Sealed Bath configured with lower 34 mm Stainless Steel Cup.	3,180
-----------	--	-------

700.03464	ARES, Stainless Steel Double Wall Cup for Sealed Bath	5,050
-----------	---	-------

708.01471	ARES, Stainless Steel, 25 mm Lower Plate for Sealed Bath	1,830
-----------	--	-------

708.01472	ARES, Stainless Steel, 50 mm Lower Plate for Sealed Bath	1,980
-----------	--	-------

708.01483	ARES, Stainless Steel, 63 mm Lower Plate with Glass Cup and Cover for Sealed Bath	2,940
-----------	---	-------

## ARES-G2 Advanced Peltier System (APS)

### APS = Advanced Peltier System

402500.901	ARES-G2, APS, Jacket	14,800
------------	----------------------	--------

### APS Cups

402620.901	ARES-G2, APS, Hard Anodized Aluminum, 30 mm Dia., Cup	2,070
402741.901	ARES-G2, APS, Stainless Steel, 30 mm Dia., Cup (with embedded PRT)	3,230
402641.901	ARES-G2, APS, Hard Anodized Aluminum, 34 mm Dia., Cup	3,210
402684.901	ARES-G2, APS, Hard Anodized Aluminum, 34 mm Dia., Double Gap Cup	4,180
402684.902	ARES-G2, APS, Stainless Steel, 34 mm Dia., Double Gap Cup	3,900
402678.901	ARES-G2, APS, Hard Anodized Aluminum, 20 mm Dia., Cup	3,210
402681.901	ARES-G2, APS, Hard Anodized Aluminum, 42 mm Dia., 15 mm Edge Height, Immersion Cup: includes two removable sidewalls (one aluminum and one clear polycarbonate) for easy sample loading and trimming	840

### APS Bobs (for use with APS Cups)

402621.901	ARES-G2, APS, Stainless Steel, 27.7 mm Dia., DIN Bob	2,870
402673.901	ARES-G2, APS, Stainless Steel, 27.7 mm Dia., 41.5 mm Height, Recessed End Bob	2,870
402675.901	ARES-G2, APS, Stainless Steel, 27.7 mm Dia., 41.5 mm Height, Vane Bob	2,070
402682.901	ARES-G2, APS, Stainless Steel, 15 mm Dia., 38 mm Height, Wide Gap Vane Bob	2,070
402679.901	ARES-G2, APS, Stainless Steel, 18.6 mm Dia., 27.9 mm Height, Conical End DIN Bob	2,870
402680.901	ARES-G2, APS, Stainless Steel, 18.6 mm Dia., 27.9 mm Height, Recessed End Bob	2,870
402674.901	ARES-G2, APS, Titanium, 31.4 mm Dia., 47.1 mm Height, Recessed End Bob	2,870
402676.901	ARES-G2, APS, Titanium, Double Gap Bob: Inner Dia. = 29.4 mm, Outer Dia. = 32 mm, Height = 48 mm, Sample Volume = 9.4 mL	2,890
402676.902	ARES-G2, APS, Titanium, Narrow Gap Double Gap Bob: Inner Dia. = 28.6 mm, Outer Dia. = 33 mm, Height = 49.5 mm, Sample Volume = 5.0 mL	2,890

## APS Standard Flat Plate

402619.901	ARES-G2, APS, Standard Flat Plate	3,900
------------	-----------------------------------	-------

### APS Quick Change Plates (for use with APS Standard Flat Plate)

402625.901	ARES-G2, APS, Stainless Steel, 8 mm, Quick Change Plate	345
402624.901	ARES-G2, APS, Stainless Steel, 25 mm, Quick Change Plate	345
402623.901	ARES-G2, APS, Stainless Steel, 40 mm, Quick Change Plate	345
402622.901	ARES-G2, APS, Stainless Steel, 50 mm, Quick Change Plate	345
402627.901	ARES-G2, APS, Stainless Steel, Cross Hatched, 8 mm, Quick Change Plate	395
402628.901	ARES-G2, APS, Stainless Steel, Cross Hatched, 25 mm, Quick Change Plate	395
402629.901	ARES-G2, APS, Stainless Steel, Cross Hatched, 40 mm, Quick Change Plate	395
402630.901	ARES-G2, APS, Hard Anodized Aluminum, 25 mm, Quick Change Plate	370
402631.901	ARES-G2, APS, Hard Anodized Aluminum, 40 mm, Quick Change Plate	370
402632.901	ARES-G2, APS, Hard Anodized Aluminum, 50 mm, Quick Change Plate	370
402633.901	ARES-G2, APS, Titanium, 25 mm, Quick Change Plate	450
402634.901	ARES-G2, APS, Titanium, 50 mm, Quick Change Plate	450
402770.901	ARES-G2, APS, Sandblasted, 25 mm, Quick Change Plate	435
402769.901	ARES-G2, APS, Sandblasted, 40 mm, Quick Change Plate	435
402768.901	ARES-G2, APS, Sandblasted, 50 mm, Quick Change Plate	435

### APS Quick Change Disposable Plates (for use with APS Standard Flat Plate)

402611.901	ARES-G2, APS, Aluminum, 8 mm, Quick Change Disposable Plate (pkg. of 20)	675
402612.901	ARES-G2, APS, Aluminum, 20 mm, Quick Change Disposable Plate (pkg. of 20)	630
402613.901	ARES-G2, APS, Aluminum, 25 mm, Quick Change Disposable Plate (pkg. of 20)	605
402751.901	DHR & AR-Series, ARES-G2, APS, Quick Change Disposable Plate Holder	675

### APS Solvent Trap Cover

402515.901	ARES-G2, APS, Split Solvent Trap Cover for Cones and Parallel Plates	1,340
402691.901	ARES-G2, APS, Solvent Trap Cover for Concentric Cylinders	1,340

### ARES Solvent Trap - Heat Break Geometries (for use with Peltier Plate and APS)

#### ARES Solvent Trap - Heat Break Geometries: Parallel Plates

402677.903	ARES, Stainless Steel, Heat Break, Solvent Trap, 25 mm, Parallel Plate	1,780
402677.901	ARES, Stainless Steel, Heat Break, Solvent Trap, 40 mm, Parallel Plate	2,020
402677.902	ARES, Stainless Steel, Heat Break, Solvent Trap, 50 mm, Parallel Plate	2,070
402683.903	ARES, PPS, Solvent Trap, 25 mm, Parallel Plate	1,780
402683.901	ARES, PPS, Solvent Trap, 40 mm, Parallel Plate	1,780
402683.902	ARES, PPS, Solvent Trap, 50 mm, Parallel Plate	1,830

#### ARES Solvent Trap - Heat Break Geometries: Roughened Surface Plates

402767.903	ARES, Stainless Steel, Solvent Trap, Sandblasted, 25 mm, Parallel Plate	2,120
402767.901	ARES, Stainless Steel, Solvent Trap, Sandblasted, 40 mm, Parallel Plate	2,120
402767.902	ARES, Stainless Steel, Solvent Trap, Sandblasted, 50 mm, Parallel Plate	2,170
402766.902	ARES, Stainless Steel, Heat Break, Solvent Trap, Cross Hatched, 25 mm, Parallel Plate	2,450
402766.901	ARES, Stainless Steel, Heat Break, Solvent Trap, Cross Hatched, 40 mm, Parallel Plate	2,450
402766.903	ARES, Stainless Steel, Heat Break, Solvent Trap, Cross Hatched, 50 mm, Parallel Plate	2,560

#### ARES Solvent Trap - Heat Break Geometries: Cones

402761.901	ARES, Stainless Steel, Heat Break, Solvent Trap, 25 mm 1 deg Cone	2,290
402762.901	ARES, PPS, Solvent Trap, 25 mm, 1 deg Cone	2,290
402760.903	ARES, Stainless Steel, Heat Break, Solvent Trap, 40 mm, 1 deg Cone	2,290

402760.901	ARES, Stainless Steel, Heat Break, Solvent Trap, 40 mm, 2 deg Cone	2,290
402764.903	ARES, PPS, Solvent Trap, 40 mm, 1 deg Cone	2,120
402764.901	ARES, PPS, Solvent Trap, 40 mm, 2 deg Cone	2,120
402763.903	ARES, Stainless Steel, Heat Break, Solvent Trap, 50 mm, 1 deg Cone	2,340
402763.901	ARES, Stainless Steel, Heat Break, Solvent Trap, 50 mm, 2 deg Cone	2,340
402765.903	ARES, PPS, Solvent Trap, 50 mm, 1 deg Cone	2,170
402765.901	ARES, PPS, Solvent Trap, 50 mm, 2 deg Cone	2,170

### ARES Single Boxed Parallel Plate Geometries

#### Stainless Steel Parallel Plate Geometries

Note: For use with FCO (two required), Bath, and Peltier Temperature Systems.

401985.901	ARES, Stainless Steel, 8 mm Parallel Plate	1,380
401981.901	ARES, Stainless Steel, 25 mm Parallel Plate	1,610
402302.901	ARES, Stainless Steel, 40 mm Parallel Plate	1,830
401968.901	ARES, Stainless Steel, 50 mm Parallel Plate	2,070
401978.901	ARES, Stainless Steel, 25 mm Parallel Plate, Serrated	2,180
401647.901	ARES, Stainless Steel, Cross Hatched, 8 mm Plate	2,020
401667.901	ARES, Stainless Steel, Cross Hatched, 25 mm Plate	2,070
401687.901	ARES, Stainless Steel, Cross Hatched, 50 mm Plate	2,760

#### Titanium Parallel Plate Geometries

Note: For use with FCO (two required), Bath, and Peltier Temperature Systems.

402309.901	Titanium, 25 mm Parallel Plate	2,410
402310.901	Titanium, 50 mm Parallel Plate	2,980

#### Polyphenylene Sulfide (PPS) Parallel Plate Geometries

Note: For use with Bath and Peltier Temperature Systems.

402311.901	ARES, PPS, 25 mm Upper Plate; Maximum Temperature = 150°C	1,030
402312.901	ARES, PPS, 40 mm Upper Plate; Maximum Temperature = 150°C	1,090
402313.901	ARES, PPS, 50 mm Upper Plate; Maximum Temperature = 150°C	1,140



## ARES Cone Geometries

### Stainless Steel Upper Cones

Note: For use with FCO, Bath, and Peltier Temperature Systems.

402305.901	ARES, Stainless Steel, 8 mm 0.1 rad Cone (5.73 deg)	1,780
401977.901	ARES, Stainless Steel, 25 mm 0.02 rad Cone (1.15 deg)	1,780
401976.901	ARES, Stainless Steel, 25 mm 0.04 rad Cone (2.29 deg)	1,830
402317.901	ARES, Stainless Steel, 25 mm 0.1 rad Cone (5.73 deg)	1,830
401965.901	ARES, Stainless Steel, 50 mm 0.02 rad Cone (1.15 deg)	2,180
401963.901	ARES, Stainless Steel, 50 mm 0.04 rad Cone (2.29 deg)	2,180

### Titanium Upper Cones

Note: For use with FCO, Bath, and Peltier Temperature Systems.

401972.901	ARES, Titanium, 25 mm 0.02 rad Cone (1.15 deg)	2,530
401975.901	ARES, Titanium, 25 mm 0.04 rad Cone (2.29 deg)	2,530
401973.901	ARES, Titanium, 25 mm 0.1 rad Cone (5.73 deg)	3,110
401964.901	ARES, Titanium, 50 mm 0.02 rad Cone (1.15 deg)	3,110
401962.901	ARES, Titanium, 50 mm 0.04 rad Cone (2.29 deg)	3,110

### Polyphenylene Sulfide (PPS) Cone Geometries

Note: For use with Bath and Peltier Temperature Systems.

402314.901	ARES, PPS, 25 mm 0.1 rad Cone; Maximum Temperature = 150°C	1,090
402315.901	ARES, PPS, 50 mm 0.04 rad Cone; Maximum Temperature = 150°C	1,190

## ARES Disposable Plate Fixtures and Accessories

### Stainless Steel Disposable Plate Fixture

Note: For use with FCO (two required), Bath, and Peltier Temperature Systems.

402303.901	ARES, Stainless Steel, Disposable Plate Fixture	1,730
------------	---	-------

Note: Two required for use with FCO Temperature System. Requires Disposable Plates.

### Aluminum and Stainless Steel Disposable Plates

700.01294.17	Aluminum, 8 mm Disposable Plates, 10 Pair (20 pieces)	560
700.01294.3	Aluminum, 25 mm Disposable Plates, 10 Pair (20 pieces)	355
700.01294.4	Aluminum, 40 mm Disposable Plates, 10 Pair (20 pieces)	535
700.01294.5	Aluminum, 50 mm Disposable Plates, 10 Pair (20 pieces)	560

700.01294.11	Serrated Aluminum, 8 mm Disposable Plates, 1 pair (2 Pieces)	270
700.01294.6	Serrated Aluminum, 25 mm Disposable Plates, 1 pair (2 Pieces)	375
700.01294.7	Serrated Aluminum, 50 mm Disposable Plates, 1 pair (2 Pieces)	815
700.01295.9	Stainless Steel, 8 mm Disposable Plates, 10 Pair (20 pieces)	1,270
700.01295.3	Stainless Steel, 25 mm Disposable Plates, 10 Pair (20 pieces)	1,270
700.01295.4	Stainless Steel, 40 mm Disposable Plates, 10 Pair (20 pieces)	1,480
700.01295.5	Stainless Steel, 50 mm Disposable Plates, 10 Pair (20 pieces)	1,600
700.01295.6	Serrated Stainless Steel, 25 mm Disposable Plates, 1 pair (2 Pieces)	635
700.02678	Aluminum, 42 mm Disposable Cup, (1 piece)	155
700.02648	Disposable Plate Sample Mold, 25 mm	4,080
402739.901	Aluminum, 25 mm Disposable Plates with Drip Channel (pkg. of 20)	355

### Aluminum Disposable Cones

700.02451.2	Aluminum, 25 mm 0.02 rad (1.15 deg) Disposable Cone, (10 pieces)	555
700.02451.1	Aluminum, 25 mm 0.1 rad (5.73 deg) Disposable Cone, (10 pieces)	555
700.02451.3	Aluminum, 50 mm 0.04 rad (2.29 deg) Disposable Cone, (10 pieces)	555

## ARES Miscellaneous Fixtures and Accessories

### ARES Asphalt Accessories

554007.901	Asphalt Sample Molds, 1 Pair	120
------------	------------------------------	-----

### ARES Air and Calibration Accessories

700.02657.2	ARES, RSA, and TAM Air Dryer	3,280
250000.006	Oil Filter Removal Element (Norgren)	235
613.06406	Replacement F73G 5 micron Filter Element for Air Dryer	30
700.00437.1	Air Table	14,600
700.01011	PDMS, 2 oz	145
700.01016	Silicone Oil, 1000 cP	40
400.02589	Steel Reference Standard	110

### ARES Universal Testing Platform

403090.001	SER3 Universal Testing Platform for ARES/ARES-G2	22,900
200974.003	SER3 Standard Drum Pair Set for ARES-G2/ARES Rheometers	1,030

200975.003	SER3 Knurled Surface Drum Pair Set for ARES-G2/ARES Rheometers	1,610
200976.003	SER3 Rough Surface Drum Pair Set for ARES-G2/ARES Rheometers	1,610
200977.002	Securing Clamps for DHR & AR SER3/2 and ARES-G2 SER3 (pkg. of 6)	375
200978.001	SER3 and SER2 Dual Blade Cutter Assembly	1,800
200979.001	Razor Blades for SER3 and SER2 Dual Blade Cutter Assembly (pkg. of 50)	115
200974.001	SER2 Standard Drum Pair Set for ARES Rheometers	1,030
200975.001	SER2 Knurled Surface Drum Pair Set for ARES Rheometers	1,610
200976.001	SER2 Rough Surface Drum Pair Set for ARES Rheometers	1,610
200977.001	SER2 Securing Clamps for ARES Rheometers (pkg. of 6)	375

### ARES Helical Mixer Geometry

401827.901	ARES Stainless Steel Helical Rotor	6,880
------------	------------------------------------	-------

### ARES DETA: Dielectric Thermal Analysis Options

402551.901	ARES-G2 and RSA-G2 DETA Accessory Kit (LCR Meter not included): Requires two ARES 25 mm DETA Geometries (P/N: 402553.901) and customer-supplied Keysight E4980A LCR Meter (P/N: 613.04946), Keysight E4980AL LCR Meter (P/N: 203330.001), or Keysight 4285A LCR Meter (P/N: 201259.001).	9,180
402553.901	ARES 25 mm DETA Geometry: for use with the ARES DETA option (P/N: 402551.901)	2,870
404000.901	ARES-G2, Disposable DETA Geometry: for use with the ARES DETA option (P/N: 402551.901)	4,040
613.04946	Keysight E4980A LCR Meter for ARES-G2, RSA-G2, and DHR DETA: frequency range: 20 Hz. to 2 MHz.; AC test signal (potential) 0.005 to 20 Volts (115/230V; 50/60Hz.)	28,700
201259.001	Keysight 4285A LCR Meter for ARES-G2 and RSA-G2: frequency range: 75 kHz. to 30 MHz.; AC test signal (potential) 0.005 to 10 Volts (115/230V; 50/60Hz.)	39,000
203330.001	Keysight E4980AL/120 LCR Meter for ARES-G2, RSA-G2, and DHR DETA: frequency range: 20 Hz to 1 MHz; AC test signal (potential) 0.001 to 2 Volts (115/230V; 50/60 Hz)	12,200

### ARES UV-Curing Options

401177.901	ARES-G2 UV-Curing Option without Light Source	18,800
401177.902	ARES-G2 UV-Curing Option with Light Source	43,600
935014.901	PCA/UV External Filter Adapter Accessory Kit (allows use of external filters with the PCA P/N: 935000.901)	2,360

935009.001	Filter, External, 320 - 480 nm (for the Omnicure S-2000 with external filter adapter)	1,030
935009.002	Filter, External, 320 - 390 nm (for the Omnicure S-2000 with external filter adapter)	1,030
935009.004	Filter, External, 400 - 500 nm (for the Omnicure S-2000 with external filter adapter)	1,140
935009.003	Filter, External, 365 nm (for the Omnicure S-2000 with external filter adapter)	1,980

### ARES Draft Shield

402735.901	ARES-G2 Draft Shield	1,680
------------	----------------------	-------

### ARES Electro-Rheological Analysis Option

401940.901	ARES Electro-Rheological Analysis Accessory for ARES-G2 (110VAC)	39,000
401940.902	ARES Electro-Rheological Analysis Accessory for ARES-G2 (220VAC)	39,000
402754.901	ARES-G2, Electro-Rheology, Stainless Steel, 25 mm, Upper Plate <i>Note: These plates are for upper use only and are not compatible with the FCO.</i>	1,610
402752.901	ARES-G2, Electro-Rheology, Stainless Steel, 50 mm, Upper Plate <i>Note: These plates are for upper use only and are not compatible with the FCO.</i>	2,070

### ARES Interfacial (DWR) Rheology System

402820.901	ARES-G2, Double Wall Ring Interfacial (DWR) Rheology System: includes DWR Pt/Ir Ring Geometry and Delrin Trough, which mounts on the APS Flat Plate. <i>Note: Requires APS Flat Plate (P/N: 402619.901) and APS Jacket (P/N: 402500.901).</i>	13,700
------------	---	--------

### ARES Motor Boost Accessory

404008.901	Motor Boost Accessory for ARES-G2	13,700
------------	-----------------------------------	--------

### ARES Orthogonal Superposition (OSP) Accessory

402805.901	ARES-G2, OSP Upgrade Kit	6,020
402796.901	ARES-G2, APS, Titanium, OSP Slotted Double Gap Bob	3,120
402796.902	ARES-G2, APS, Titanium, OSP Slotted Narrow Gap Double Bob	3,220
402782.901	ARES-G2, APS, HA AL, 34 mm Dia., OSP Slotted Double Gap Cup	6,450
708.01458	ARES Linear Film/Fiber Testing Tool: for use with ARES-G2 and ARES Classic Instruments configured with 2KFRTN transducers.	4,910
532069.901	ARES-G2, 3-Point Bending Geometry	4,810
532070.901	ARES-G2, Cantilever Bending Geometry	5,030

### ARES-G2 Tribo-Rheometry Accessory

533242.901	Tribo-Rheometry Accessory Base Kit	1,190
532078.901	ARES-G2, Tribo-Rheometry Coupling Adapter, Long	710
532078.902	ARES-G2, Tribo-Rheometry Coupling Adapter, Short	595
533273.901	Tribo-Rheometry, Single Ball Upper Geometry Holder, Medium	595
533273.902	Tribo-Rheometry, Single Ball Upper Geometry Holder, Short	545
533273.903	Tribo-Rheometry, Single Ball Upper Geometry Holder, Long	595
533283.901	Tribo-Rheometry, Ring on Plate Upper Geometry Holder	280
533290.901	Tribo-Rheometry, 3 Balls on Plate Upper Geometry Holder	215
533249.901	Tribo-Rheometry, 5/16" Truncated SST Balls (pkg. of 12)	875
533250.901	Tribo-Rheometry, 1/2" SST Balls (pkg. of 25)	105
533284.901	Tribo-Rheometry, Ring Upper Geometry (pkg. of 3)	290
533274.901	Tribo-Rheometry, Ball on 3 Balls Lower Geometry	1,190
533281.901	Tribo-Rheometry, SST Cup 45 mm Lower Geometry	235
533282.901	Tribo-Rheometry, 3 Plates Lower Geometry	380
533291.901	Tribo-Rheometry, Ball on 3 Plates SST Test Plates (pkg. of 30)	680
523400.907	Aluminum, 40 mm Disposable Plate	25
532079.901	ARES-G2, FCO, Tribo-Rheometry Lower Geometry Holder	985
532080.901	ARES-G2, APS, Tribo-Rheometry Lower Geometry Holder	235

### ARES - CLASSIC ONLY

(includes ARES, ARES-LS1, ARES-LS2, ARES-RDA, ARES-RFS, and ARES-HT)

### ARES Classic Rheometer

708.01442	ARES Optical Parallel Plate for OAM; includes 38.1 mm upper and lower glass parallel plates	7,320
708.01439	Optical Couette Kit; includes 30 mm OD upper Stainless Steel Bob and 34 mm ID Stainless Steel/Glass Cup; for use with OAMII at ambient use only; requires V5.xx.xx or higher firmware and 2KFRTN1 transducer. <i>Note: For ARES CLASSIC ONLY.</i>	14,900
700.03336	OAM II Adjustable FCO Height Support	2,330

### ARES UV-Curing and Photo-Curing Accessories

403153.001	Upper 20 mm Quartz Plate for ARES UV-Option <i>Note: For use with ARES UV-Curing Option and Photo-Curing Option upper plate fixture.</i>	425
403171.002	Lower 20 mm Stainless Steel Plate for ARES UV-Option <i>Note: For use with ARES UV-Curing Option and Photo-Curing Option upper quartz plate and fixture.</i>	60
403064.901	Package of 10 disposable 20 mm diameter acrylic plates for use with ARES UV-Curing Option and Photo-Curing Option upper plate fixture <i>Note: Not for use with standard disposable plate fixture.</i>	385
403065.901	Package of 10 disposable 20 mm diameter aluminum plates for ARES disposable plate fixture <i>Note: For use with ARES UV-Curing and Photo-Curing Option upper quartz plate and fixture.</i>	385
200400.001	Replacement 5 mm diameter light guide for ARES and AR UV-Curing and Photo-Curing Options	1,740
403170.001	Replacement remote radiometer/dosimeter for ARES UV-Curing Option	920

### ARES FCO Temperature Control Option

700.03382.6	ARES Classic FCO Liquid Nitrogen Controller Option	20,000
403164.901	ARES Classic and RSA III Mechanical Chiller Panel & Interface. <i>Note: Requires customer-supplied chiller. This product is built to order.</i>	9,290



Tribo-Rheometry Accessory

## RPA flex Options

471200.901	Stress Relaxation Option for RPA flex	5,150
471200.902	Frequency Sweep Option for RPA flex	10,300
471200.903	Strain Sweep and LAOS Option for RPA flex	12,900
471200.904	Non-Linearity Measurement Option for RPA flex	6,180
471200.905	Advanced Oscillation Option for RPA flex	6,700

## MV one Options

473100.901	Variable Rate Option for MV one Mooney Viscometer (0.1 to 10 RPM)	4,640
473200.901	Large Mooney MV one Viscometer Rotor (D = 38.1 mm)	1,240
473210.901	Small Mooney MV one Viscometer Rotor (D = 30.48 mm)	1,240

## Sample Cutter

474000.901	RPA and MDR Volumetric Sample Cutter	8,960
474000.902	Mooney Volumetric Sample Cutter	8,960

## Sample Cutter Options

474050.901	RPA and MDR Volumetric Sample Cutter Die Set	2,030
474060.901	Mooney Volumetric Sample Cutter Die Set	2,030
474050.001	RPA and MDR Sample Cutter Replacement Die Blade	925
474060.001	Mooney Viscometer Sample Cutter Replacement Die Blade	925

## Automated Hardness/Density Tester Options

474253.001	20 Sample Magazine	1,030
474253.002	30 Sample Magazine	1,080

## System Options/Accessories

474300.901	Air Cooling System	4,020
474320.901	Torque Standard (TA Instruments Certified Torque Standard for Calibrating RPA and MDR Instruments)	1,010
470124.001	RPA/MDR Temperature Calibration Disc (for use with RPA and MDR instruments)	95
474340.901	Standard Die Seal (pkg. of 10) (for use with RPA and MDR instruments)	175
474350.901	Long Life Die Seal (pkg. of 10) (for use with RPA and MDR instruments)	525
474370.901	Mooney Lower Die O-Rings (pkg. of 10) (for use in the MV one Mooney Viscometer)	285
202889.001	Die/Rotor Cleaning Brush	50
202890.001	Die/Rotor Metal Cleaning Pick	50
202891.001	Film Roll - Polyester	50
202891.002	Film Sheets - Polyester (Qty. 1000 sheets)	35
202891.003	Film Roll - Polyamide	80
202928.131	Gloves - High Temperature	60
202928.100	Fan Filter (pkg. of 5)	10

## Scarabeus Software Options

202928.183	Five User SQL Database Workgroup License	660
202928.184	Six User Expandable SQL Database Hardware Server License: <i>Note: Requires Hardware Server operating Windows Server version to be provided by the customer.</i>	1,770
202928.185	Unlimited User 5GB SQL Database Virtual Server License	4,610
202928.186	Ten User Add-On SQL Database Hardware Server License: <i>Note: Requires SQL Database Hardware Server License (P/N: 202928.184).</i>	2,600



## RSA-G2 Temperature Options

401892.901	RSA-G2 Forced Convection Oven FCO	28,700
401711.901	ARES-G2 and RSA-G2 FCO Camera	11,300
402164.901	ARES-G2 and RSA-G2 Chiller Panel <i>Note: Requires Customer to Purchase Polycold PGC 152 Mechanical Chiller directly from Polycold. This product is built to order.</i>	9,770
401041.901	ARES-G2 and RSA-G2 FCO LN2 Controller Option	20,000
405001.901	ACS-2 Air Chiller System (220-230VAC/60Hz) <i>Note: Requires ARES-G2 &amp; RSA-G2 FCO Air Chiller Panel (P/N: 404041.901) for operation.</i>	21,400
405001.902	ACS-2 Air Chiller System (220-230VAC/50Hz) <i>Note: Requires ARES-G2 &amp; RSA-G2 FCO Air Chiller Panel (P/N: 404041.901) for operation.</i>	21,400
405000.901	ACS-3 Air Chiller System (220-230VAC/60Hz) <i>Note: Requires ARES-G2 &amp; RSA-G2 FCO Air Chiller Panel (P/N: 404041.901) for operation.</i>	26,600
405000.902	ACS-3 Air Chiller System (220-230VAC/50Hz) <i>Note: Requires ARES-G2 &amp; RSA-G2 FCO Air Chiller Panel (P/N: 404041.901) for operation.</i>	26,600
404041.901	ARES-G2 & RSA-G2 FCO Air Chiller Panel (for use with ACS-2 and ACS-3 Air Chiller Systems)	6,900

## RSA-G2 and RSA III Geometries

708.01456	RSA 3-Point Bending Geometry	2,910
708.01446	RSA Cantilever Bending Geometry	3,700
708.01455	RSA Film/Fiber Geometry	2,910
708.01464	RSA Parallel Plate Compression Geometry	3,700
708.01466.1	8 mm diameter Plates for RSA Parallel Plate Compression Geometry	630
708.01466.2	15 mm diameter Plates for RSA Parallel Plate Compression Geometry	465
708.01466.3	25 mm diameter Plates for RSA Parallel Plate Compression Geometry	630
708.01461	RSA Shear Sandwich Geometry	4,050
708.01465	RSA Contact Lens Geometry Probe and Lens Holder	3,330

402198.901	RSA Immersion Geometry and Installation Kit <i>Note: Includes Tension and 15 mm diameter Compression Fixtures. Also includes 10 mm, 15 mm, and 20 mm 3-point bending fixtures. Compatible with the RSA-G2 and the RSA III. Note: Use with the RSA III also requires the RSA III Immersion Tool Installation Kit (P/N: 402724.901), available separately (requires installation by a TA Instruments Service Engineer, priced separately).</i>	11,900
------------	---	--------

402724.901	RSA III Immersion Tool Installation Kit <i>Note: Installation kit necessary for updating the RSA III FCO when using the RSA Immersion Geometry (P/N: 402198.901). This kit requires installation by a TA Instruments Service Engineer, priced separately.</i>	465
------------	--	-----

## Miscellaneous Accessories

251471.002	DSL Router with 4-Port Switch (for communication between an external controller and Thermal and Rheology instruments)	180
700.02657.2	ARES, RSA, and TAM Air Dryer	3,280
708.01457	Adapters for RSA2 Tools	1,080

## RSA III Software

402010.901	Orchestrator Polymer Library	4,390
------------	------------------------------	-------

## RSA-G2 DETA: Dielectric Thermal Analysis Options

402551.901	ARES-G2 and RSA-G2 DETA Accessory Kit (LCR Meter not included): Requires two RSA-G2 25 mm DETA Geometries (P/N: 402614.901) and customer-supplied Keysight E4980A LCR Meter (P/N: 613.04946), Keysight E4980AL LCR Meter (P/N: 203330.001), or Keysight 4285A LCR Meter (P/N: 201259.001).	9,180
402614.901	RSA-G2 25 mm DETA Geometry: for use with the RSA-G2 DETA option (P/N: 402551.901)	2,870
404005.901	RSA-G2, Disposable DETA Geometry: for use with the RSA-G2 DETA option (P/N: 402551.901)	4,040
613.04946	Keysight E4980A LCR Meter for ARES-G2 and RSA-G2 DETA: frequency range: 20 Hz. to 2 MHz.; AC test signal (potential) 0.005 to 20 Volts (115/230V; 50/60 Hz.)	28,700
201259.001	Keysight 4285A LCR Meter for ARES-G2 and RSA-G2: frequency range: 75 kHz. to 30 MHz.; AC test signal (potential) 0.005 to 10 Volts (115/230V; 50/60 Hz.)	39,000
203330.001	Keysight E4980AL/120 LCR Meter for ARES-G2, RSA-G2, and DHR DETA: frequency range: 20 Hz to 1 MHz; AC test signal (potential) 0.001 to 2 Volts (115/230V; 50/60 Hz)	12,200

## DMA Q800 Accessories

985700.901	DMA-RH (Relative Humidity) Accessory for DMA Q800	43,100
991400.902	Gas Cooling Accessory - Auto Tank Fill (for cooling to -150 °C)	13,100
984350.901	Air Compressor Accessory (for use with DMA Q800 only)	3,050
985011.901	Accessory Kit, DMA Q800 (supplied with the DMA Q800 module)	4,470
405001.901	ACS-2 Air Chiller System (220-230VAC/60Hz) <i>Note: Requires Q800 DMA Air Chiller Panel (P/N: 986300.901) for operation.</i>	21,400
405001.902	ACS-2 Air Chiller System (220-230VAC/50Hz) <i>Note: Requires Q800 DMA Air Chiller Panel (P/N: 986300.901) for operation.</i>	21,400
405000.901	ACS-3 Air Chiller System (220-230VAC/60Hz) <i>Note: Requires Q800 DMA Air Chiller Panel (P/N: 986300.901) for operation.</i>	26,600
405000.902	ACS-3 Air Chiller System (220-230VAC/50Hz) <i>Note: Requires Q800 DMA Air Chiller Panel (P/N: 986300.901) for operation.</i>	26,600
986300.901	Q800 DMA Air Chiller Panel (for use with ACS-2 and ACS-3 Air Chiller Systems)	4,780
986310.901	Nitrogen Purge Cooler	1,800

## DMA Q800 Clamp Kits

984048.901	8 mm Single/Dual Cantilever Clamp Kit	3,870
984047.901	20 mm Single/Dual Cantilever Clamp Kit	3,870
984015.901	35 mm Single/Dual Cantilever Clamp Kit (supplied with DMA Q800 module)	3,870
984026.901	3-point Bending Clamp Kit (5, 10, and 15 mm lengths)	3,870
984014.901	3-point Bending Clamp Kit (20 and 50 mm lengths)	3,870
985178.901	Submersion 3-point Bending Kit (5, 10, and 15 mm lengths)	5,520
984018.901	Parallel Plate Compression Clamp Kit (includes 15 and 40 mm plates)	5,630
984022.901	Penetration Clamp Kit	3,870
985016.901	Film/Fiber Tension Clamp Kit	3,870
984023.901	Specialty Fiber Tension Clamp Kit	3,870
984017.901	Shear Sandwich Clamp Kit	3,870
985067.901	Submersion Compression Clamp Kit	8,290
985068.901	Submersion Film/Fiber Tension Clamp Kit	10,800
985069.901	3-point Bending Clamp Kit (50 mm, low friction)	4,120
985070.901	3-point Bending Clamp Kit (20 mm, low friction)	4,310
984486.901	Film Cutting Kit	960
985164.901	Powder Kit (for use with 35 mm Cantilever Clamp Kit P/N: 984015.901)	1,860

985018.901	DMA-RH Accessory Clamp Kit for DMA Q800: specifically for use with the DMA-RH accessory - kit includes clamp components for 10 mm 3-pt bending, penetration, and 15 mm compression clamps.	4,260
------------	--	-------

## DMA Q800 Replacement Parts

984003.901	Replacement Furnace	7,550
259508.000	Brass Tweezers	75
270962.002	Telescoping Gauge (for 17 mm single cantilever clamps)	165
985199.901	Control Thermocouple (90 mm length)	330
985199.902	Sample Thermocouple (130 mm length)	330
984370.901	Furnace Inlet Ferrule/Spring Kit (pkg. of 5)	60
270976.002	Filter/Regulator with Auto Drain	2,030
270975.001	Filter Replacement, Auto Drain Regulator	140
985078.001	Dual Cantilever Clamp Screen	70
985078.002	Film/Fiber Tension Clamp Screen	65
985052.901	Thermocouple Baffle	60

## DMA Q800 Calibration and Test Materials

900902.901	Indium Temperature Calibration Sample	110
900907.901	Zinc Temperature Calibration Sample	110
984310.901	Indium Wire, Film/Fiber Temperature Calibration (pkg. of 10 pieces, 38 mm length)	170
980228.902	Glass Support Cloth (0.2 mm thick, 33 m length)	490
982161.902	ABS Sample (3.18 mm thick, 61 mm length) (pkg. of 5)	60
982161.903	ABS Sample (3.18 mm thick, 36 mm length) (pkg. of 5)	60
982165.903	Polycarbonate Sample (1.6 mm thick, 36 mm length) (pkg. of 5)	60
982165.904	Polycarbonate Sample (0.79 mm thick, 36 mm length) (pkg. of 5)	60
984309.901	Polyethylene Terephthalate (PET) Film (38 mm length) (pkg. of 10)	60
984313.901	PET Fiber (910 mm length)	60
984308.001	DMA Calibration Standard 0.005 inch thick	60
984308.002	DMA Calibration Standard 0.010 inch thick	60
984308.003	DMA Calibration Standard 0.020 inch thick	60
984308.004	DMA Calibration Standard 0.030 inch thick	60
982166.003	Compliance Sample - Dual Cantilever	60
982166.004	Compliance Sample - Single Cantilever	60
984331.901	Film/Fiber Tension Clamp Calibration Kit	10

# Microcalorimetry - TAM Systems

## TAM IV/III Thermostat and Calorimeter Accessories

700.02657.2	Air Dryer for ARES, RSA, and TAM	3,280
320101	Lifting Tool, Nanocalorimeter	720
320140	Lifting Tool, Nanocalorimeter, for Heat Seal Ampoule	740
320601	Lifting Tool, Minicalorimeter	390
320640	Lifting Tool, Minicalorimeter, for Heat Seal Ampoule	395
604931.901	Battery Lifting Tool, 20 mL Calorimeter	1,380
322001	Lifting Tool, 20 mL Calorimeter	1,380
604226.901	Lifting Tool, Macrocalorimeter	2,240
604227.901	Macrocalorimeter Battery Lifter	3,980
611085.901	Low Temperature Kit for TAM IV	1,120

## TAM Air

### TAM Air Thermostat Accessories

323906	TAM Air, Lifting Tool	105
311407	TAM Air, Top Lid (pkg. of 1): two lids required for each channel of the TAM Air Thermostat	30

### TAM Air Ampoules and Accessories 20 mL

3350-2	TAM Air, Start-Up Kit, 20 mL	2,910
334601	Lifting Eyelet for HDPE Plastic Ampoules, 20 mL (pkg. of 1)	7
3346-5	HDPE Plastic Ampoules, 20 mL, with Screw-Cap (pkg. of 1000) (Temperature range: 5 to 50°C)	595
3455	TAM Air, Admix Ampoule, 20 mL, without Motor	1,770
3456-1	TAM Air, Admix Ampoule, 20 mL, with Motor (115V, 50/60 Hz)	2,340
3456-2	TAM Air, Admix Ampoule, 20 mL, with Motor (230V, 50/60 Hz)	2,340
345630	Stirrer, Disposable, for Admix Ampoule, 20 mL (pkg. of 50)	20
345622	Syringe, for use with the Admix Ampoule	30
345623	Injection Needle, for use with the Admix Ampoule	30

## TAM Air Ampoules and Accessories 125 mL

605160.901	TAM Air, Start-Up Kit, 125 mL Disposable Glass Ampoule	2,290
604579.901	TAM Air, Start-Up Kit, 125 mL Disposable Glass Ampoules for Wet Samples	5,690
604580.901	Metal Lid for 125 mL Polished Glass Ampoule	505
604736.901	Polished Glass Ampoules for Wet Samples, 125 mL (pkg. of 20)	280
604589.901	O-Ring for Metal Lid for 125 mL Polished Glass Ampoule (pkg. of 2)	5

## Static Ampoules 4 mL Calorimeters

2277-301.3	Ampoule, Hastelloy, 4 mL, with Threaded Cap (pkg. of 2)	2,050
2277-301	Ampoule, Stainless Steel, 4 mL, with Threaded Cap (pkg. of 2)	1,010
2277-302	Ampoules, Glass, Disposable, 3 mL, Start-Up Kit	2,600
24.20.0401	Ampoule, Glass, Disposable, 4 mL (pkg. of 485)	210
2502-11	Ampoule, Glass, 1 mL, with Circlip Cap (pkg. of 1)	675
2502-12	Ampoule, Hastelloy, 1 mL, with Circlip Cap (pkg. of 1)	705
2502-10	Ampoule, Stainless Steel, 1 mL, with Circlip Cap (pkg. of 1)	405
2502-41	Ampoule, Glass, 4 mL, with Circlip Cap (pkg. of 1)	675
3323	Ampoule, Glass 4 mL with Hastelloy Circlip Cap (pkg. of 1)	710
2502-42	Ampoule, Hastelloy, 4 mL, with Circlip Cap (pkg. of 1)	705
3320	Ampoule, Hastelloy, 4 mL, with Thread/O-Ring Cap (pkg. of 1)	790
2502-40	Ampoule, Stainless Steel, 4 mL, with Circlip Cap (pkg. of 1)	495
3320-1	Ampoule, Stainless Steel, 4 mL, with Thread/O-Ring Cap (pkg. of 1)	650
3325	Ampoules, Heat Seal, 5 mL (pkg. of 324)	235
3330-4	Start-Up Kit, 4 mL (with 12 Eyelets)	2,620
3330-3	Start-Up Kit, 4 mL (with 50 Eyelets)	3,370
86.33.0400	Aluminum Caps, Sealing Discs, Glass Ampoules, 3 and 4 mL (pkg. of 100)	135
95.53.1015	Ampoules, Glass, Disposable, 3 mL (pkg. of 100)	70

## Consumables and Accessories 4 mL Calorimeters

2421-020	Centering Tool, Disposable Glass Ampoule, 4 mL	130
202255.001	Decapper Tool (11 mm): a decapping tool for the 3 and 4 mL disposable glass ampoules (P/N: 95.53.1015) and P/N: 24.20.0401) used in the TAM	170

2422-000	Cap Adjustment Tool	335
2421-032	Hygrostat, Micro, 0.2 mL (pkg. of 100)	155
2421-033	Hygrostat, Micro, 0.3 mL (pkg. of 100)	160
2252-460	Lifting Eyelet, Ampoule, 1 mL	10
2421-060	Lifting Eyelet, Ampoules, Glass, 3 mL	20
2421-010	Lifting Eyelet, Ampoules, Glass, 4 and 20 mL	15
2250-420	Ampoule Seal, PTFE, 1 and 4 mL (pkg. of 5)	25
2277-305	Seal Discs, PTFE, 4 mL, Threaded Cap (pkg. of 100)	70
3339	Cap, Crimping Tool, Ampoules, 3 and 4 mL	1,680
2277-315	Clamping Tool with Safety Lock	165
604877.901	Circlip Ampoule Lid Complete, 4 mL	120
84.25.1201	Circlip, 12 mm (pkg. of 1) (for Circlip Ampoule)	4
84.39.1001.1	O-Ring, 10.4 x 1.0 mm Nitrile (pkg. of 1) (for Circlip Ampoule)	6
84.39.1001.2	O-Ring, 10.4 x 1.0 mm EPDM (pkg. of 1) (for Circlip Ampoule)	6
84.39.1001.3	O-Ring, 10.4 x 1.0 mm Viton (pkg. of 1) (for Circlip Ampoule)	105
84.39.1001.4	O-Ring, 10.4 x 1.0 mm Kalrez (pkg. of 1) (for Circlip Ampoule)	100
2277-307	Steel Ampoule Key: a locking tool to facilitate the sealing of 4 mL threaded cap ampoules (P/N: 2277-301 and P/N: 2277-301.3)	50

### Static Ampoules 20 mL Calorimeters

2602-21	Ampoule, Glass, 20 mL, with Circlip Cap (pkg. of 1)	960
24.60.2001	Ampoule, Glass, Disposable, 20 mL (pkg. of 113)	115
3343	Ampoule, Glass/Hastelloy, 20 mL, with Hastelloy Circlip Cap (pkg. of 1)	1,320
2602-22	Ampoule, Hastelloy, 20 mL, with Circlip Cap (pkg. of 1)	1,970
2277-309	Ampoule, Stainless Steel, 20 mL, with Threaded Cap (pkg. of 1)	800
3340-1	Ampoule, Stainless Steel, 20 mL, with Threaded O-ring Cap	1,370
2602-20	Ampoule, Stainless Steel, 20 mL, with Circlip Cap (pkg. of 1)	750
2606-21	Start-Up Kit, Disposable Glass Ampoules, 20 mL	2,700
86.33.2000	Aluminum Caps, Sealing Discs, Glass Ampoules, 20 mL (pkg. of 100)	135
604951.901	Battery Ampoule, Stainless Steel, 20 mL, Circlip	750

### Consumables and Accessories 20 mL Calorimeters

2461-020	Centering Tool, Disposable Glass Ampoule, 20 mL	130
202255.002	Decapper Tool (20 mm): a decapping tool for the 20 mL disposable glass ampoules (P/N: 24.26.2001) used in the TAM and the TAM Air	170
2254-420	Ampoule Seal, PTFE, 20 mL (pkg. of 5)	30
2277-312	PTFE Seal Discs, Threaded Cap, 20 mL (pkg. of 50)	125
2277-315	Clamping Tool with Safety Lock	165
2421-010	Lifting Eyelet, Glass Ampoules, 4 and 20 mL	15
2462-000	Cap Crimping Tool, Glass Ampoules, 20 mL	1,160
604878.901	Circlip Ampoule Lid Complete, 20 mL	250
84.25.2501	Circlip, 25 mm (pkg. of 1) (for Circlip Ampoule)	7
84.39.2201.1	O-Ring, 22.1 x 1.6 mm Nitrile (pkg. of 1) (for Circlip Ampoule)	6
84.39.2201.2	O-Ring, 22.1 x 1.6 mm EPDM (pkg. of 1) (for Circlip Ampoule)	6
84.39.2201.3	O-Ring, 22.1 x 1.6 mm Viton (pkg. of 1) (for Circlip Ampoule)	6
84.39.2201.4	O-Ring, 22.1 x 1.6 mm Kalrez (pkg. of 1) (for Circlip Ampoule)	160

### Ampoules, Consumables, and Accessories Macrocalorimeter

604328.901	Start-Up Kit Glass Ampoule for the Macrocalorimeter	1,260
604334.901	125 mL Glass Ampoule (pkg. of 20)	225
604331.901	Lifting Hook for 125 mL Glass Ampoule (pkg. of 1): for use with the Glass Ampoule, 125 mL (P/N: 604334.901)	875
604329.901	Macrocalorimeter, 18650 Battery Adapter Kit	2,410
604353.901	C-Cell Battery Adapter Kit	1,160
604352.901	D-Cell Battery Adapter Kit	1,160
604562.901	125 mL Stainless Steel Ampoule	1,340
604584.001	Circlip Plier for 125 mL Stainless Steel Ampoule	115
604565.001	Viton O-Ring for 125 mL Stainless Steel Ampoule (pkg. of 1)	3
604563.001	Circlip Ring for 125 mL Stainless Steel Ampoule (pkg. of 1)	115
604580.901	Metal Lid for 125 mL Polished Glass Ampoule	505
604736.901	125 mL Polished Glass Ampoules for Wet Samples (pkg. of 20)	280
604589.901	O-Ring for Metal Lid for 125 mL Polished Glass Ampoule (pkg. of 2)	5



### Ampoules and Consumables Solution Calorimeter

2225-130	Reaction Vessel, Glass, 25 mL, with Bridge Plugs	2,940
2225-110	Reaction Vessel, Glass, 100 mL, with Bridge Plugs	2,740
2226-130	Titration Vessel, Glass, 25 mL, with Bridge Plugs	3,080
2226-110	Titration Vessel, Glass, 100 mL, with Bridge Plugs	2,790
22.25.16XX	Bridge Plug, Temperature XX°C (XX = desired isothermal temperature (15°C up to 80°C), specify when ordering) (example part number for 15°C: 22.25.1615)	215
2225-150	Crushing Ampoules, 1 mL, with Stopper (pkg. of 50)	920
2225-152	Crushing Ampoules, 1 mL, Heat Seal with Filling Tube 2 mm	1,150
22.25.0190K	Stirrer, 18 K Gold, 25 mL	1,650
22.25.0190	Stirrer, 18 K Gold, 100 mL	1,750
604890.001	O-Ring for SolCal in Kalrez	135

### Consumables and Accessories 1 mL/4 mL Micro Reaction Systems

22.50.1200	Shaft, Complete, Perfusion, 1 and 4 mL	425
22.50.1200.3	Shaft, Complete, Perfusion, Hastelloy, 1 and 4 mL	720
22.50.1230.1	Shaft, Lower, Perfusion, 18K Gold, 4 mL	475
604056.901	Shaft Complete, Stainless Steel, Titration, 1 mL Titration Ampoule (P/N: 3410-1)	425
604061.901	Shaft, Complete, Hastelloy, for 1 mL Titration Ampoule (P/N: 3410)	560
22.51.1200	Shaft, Complete, Titration, 1 and 4 mL	455
22.51.1200.1	Shaft, Complete, Titration, 18K Gold, 1 and 4 mL	995
22.51.1200.3	Shaft, Complete, Titration, Hastelloy, 1 and 4 mL	705
22.51.1230.1	Shaft, Lower, Titration, 18K Gold, 4 mL	740
2250-420	Ampoule Seal, PTFE, 1 and 4 mL (pkg. of 5)	25
2250-452	Reaction Vessel, Glass, 4 mL	425
2250-453	Reaction Vessel, Hastelloy, 4 mL	325
2250-450	Reaction Vessel, Stainless Steel, 4 mL	190
2250-500	Stirrer, Turbine, Kel-F, 4 mL	205
2250-502	Stirrer, Turbine, Kel-F with 18K Gold Shaft, 4 mL	310
2250-503	Stirrer, Turbine, Hastelloy, 4 mL	525
2250-501	Stirrer, Turbine, Stainless Steel, 4 mL	230
2250-510	Stirrer, Paddle, 18K Gold, 4 mL	500
2250-520	Propeller, 18K Gold, 4 mL	970

604295.901	Secondary Propeller, Gold, 4 mL (for use with P/N: 2250-520 Propeller, 18K Gold, 4 mL)	1,400
604425.901	Stirrer, Double Propeller, Gold, 4 mL	2,400
2250-990	Kalrez Kit, Ampoule, Perfusion, 1 and 4 mL	1,410
2250-991	Kalrez Kit, Ampoule, Titration, 1 and 4 mL	1,510
2252-452	Reaction Vessel, Glass, 1 mL	385
2252-453	Reaction Vessel, Hastelloy, 1 mL	325
2252-450	Reaction Vessel, Stainless Steel, 1 mL	160
2252-511	Stirrer, Propeller, 18K Gold, 1 mL	665
340151	Propeller, Hastelloy, 1 mL	530
2252-530	Stirrer, Turbine, Kel-F, 1 mL	310
2255-990	Kalrez Kit, Ampoule, RH Perfusion, 1 and 4 mL	2,910
2255-991	Kalrez Kit, Ampoule, RH Perfusion/Titration, 1 and 4 mL	3,540
3520	Stirrer Holder for Glass Plates (with pkg. of 10 Glass Plates)	1,740
2256-510	Cell Culture Glasses (pkg. of 10)	205
2256-520	Matrix Cartridge	545
84.25.1201	Circlip, 12 mm (pkg. of 1) (for Circlip Ampoule)	4
84.39.1001.1	O-Ring, 10.4 x 1.0 mm Nitrile (pkg. of 1) (for Circlip Ampoule)	6
84.39.1001.2	O-Ring, 10.4 x 1.0 mm EDPM (pkg. of 1) (for Circlip Ampoule)	6
84.39.1001.3	O-Ring, 10.4 x 1.0 mm Viton (pkg. of 1) (for Circlip Ampoule)	6
84.39.1001.4	O-Ring, 10.4 x 1.0 mm Kalrez (pkg. of 1) (for Circlip Ampoule)	105
22.50.6000	Rubber Stopper for Titration Ampoule	15
604769.901	Cannula, Disposable (0.8 x 80 mm)	5
604771.901	MRS Reaction Vessel Circlip Plier	75
22.50.0500	Perfusion Tubing Complete	45
22.55.2110	Blind Plug RH Perfusion Ampoule (pkg. of 1)	240
605240.901	Gas Perfusion Insert	340

### Consumables and Accessories 20 mL Micro Reaction Systems

22.54.1230.1	Shaft, Lower, Perfusion, 18K Gold, 20 mL	360
22.54.1231.1	Shaft, Lower, Titration, 18K Gold, 20 mL	385
22.64.1200	Shaft, Complete, Perfusion, 20 mL	420
22.64.1200.3	Shaft, Complete, Perfusion, Hastelloy, 20 mL	645
22.64.1201	Shaft, Complete, Titration, 20 mL	455
22.64.1201.3	Shaft, Complete, Titration, Hastelloy, 20 mL	675

345600.12	Shaft, Complete, Micro Solution Ampoule, TAM III & TAM IV	455
2254-420	Ampoule Seal, PTFE, 20 mL (pkg. of 5)	30
2254-452	Reaction Vessel, Glass, 20 mL	530
334305	Reaction Vessel, Glass/Hastelloy, 20 mL	595
2254-453	Reaction Vessel, Hastelloy, 20 mL	715
2254-450	Reaction Vessel, Stainless Steel, 20 mL	175
2265-650	Stirrer, Stainless Steel Turbine/Gold Propeller (used with 20 mL Microsolution Ampoule)	1,180
2254-503	Stirrer, Turbine, Hastelloy, 20 mL	950
2254-500	Stirrer, Turbine, PEEK, 20 mL	250
2254-510	Stirrer, Paddle, 18K Gold, 20 mL	500
2254-511	Stirrer, Paddle, Stainless Steel, 20 mL	450
2264-990	Kalrez Kit, Perfusion Ampoule, 20 mL	1,510
2264-991	Kalrez Kit, Titration Ampoule, 20 mL	1,510
2265-621	Sample Cartridge, 20 µL, Channel 1	470
2265-622	Sample Cartridge, 20 µL, Channel 2	470
2265-623	Sample Cartridge, 20 µL, Channel 3	470
2265-641	Sample Cartridge, 40 µL, Channel 1	580
2265-642	Sample Cartridge, 40 µL, Channel 2	580
2265-643	Sample Cartridge, 40 µL, Channel 3	580
22.65.9011	Loading Tube, Cartridge, 20 µL	60
22.65.9010	Loading Tube, Cartridge, 40 µL	60
22.65.9000	Loading Tool	315
2269-990	Kalrez Kit, Ampoule, RH Perfusion, 20 mL	3,420
2269-991	Kalrez Kit, Ampoule, RH Perfusion/Titration, 20 mL	3,800
84.25.2501	Circlip 25 mm (pkg. of 1) (for Circlip Ampoule)	7
84.33.0503	Blind Plug (pkg. of 1)	45
22.55.2110	Blind Plug RH Perfusion Ampoule (pkg. of 1)	240
84.39.2201.1	O-Ring, 22.1 x 1.6 mm Nitrile (pkg. of 1) (for Circlip Ampoule)	6
84.39.2201.2	O-Ring, 22.1 x 1.6 mm EPDM (pkg. of 1) (for Circlip Ampoule)	6
84.39.2201.3	O-Ring, 22.1 x 1.6 mm Viton (pkg. of 1) (for Circlip Ampoule)	6
84.39.2201.4	O-Ring, 22.1 x 1.6 mm Kalrez (pkg. of 1) (for Circlip Ampoule)	160
84.39.0111.4	O-Ring, 1.15 x 1.0 mm Kalrez (pkg. of 1)	65
22.50.0500	Perfusion Tubing Complete	45

## Micro Reaction Pressure Systems

322820	Evacuation Station	5,570
322821	Extension Cable for use with the 4 mL or 20 mL Vacuum/Pressure Ampoules	390
3348-1	Ampoule, High Pressure, 20 mL (designed to hold pressures up to 10 bar)	2,120
334804	Sintered Filters, 20 µM, used with 4 mL and 20 mL Vacuum/Pressure Ampoules	155

## TAM IV/III Auxiliary Equipment

6310-001	Power Supply, Single Channel (115V, 60Hz)	210
6310-002	Power Supply, Single Channel (230V, 50/60Hz)	210
6311-001	Stirrer Power Supply (1.5 to 12 VDC, USA)	195
6311-002	Stirrer Power Supply (5 to 12 VDC, EURO)	240
604202.001	Digital Block Heater 110V (accepts the 4 mL, 20 mL, and 100 mL Block Inserts)	2,790
604201.001	Digital Block Heater 220V (accepts the 4 mL, 20 mL, and 100 mL Block Inserts)	2,790
604187.001	Block Insert, 4 mL (used with Digital Block Heater 110 V (P/N: 604202.001) or Digital Block Heater 220V (P/N: 604201.001))	325
604203.001	Block Insert, 20 mL (used with Digital Block Heater 110 V (P/N: 604202.001) or Digital Block Heater 220V (P/N: 604201.001))	395
604939.901	Block Insert, 100 mL	690

## Auxiliary Equipment Consumables and Accessories

604650.001	Syringe, 1 mL with Removable Needle	260
6140-017	Syringe, 2.5 mL with Cannula, 18K Gold	805
6140-016	Syringe, 2.5 mL with Cannula, Stainless Steel	350
604647.001	Syringe 100 µL with Removable Needle	215
604648.001	Syringe 250 µL with Removable Needle	215
604649.001	Syringe 500 µL with Removable Needle	215
604768.901	Cannula for Removable Syringes in Gold	1,040
604767.901	Cannula for Removable Syringes in Stainless Steel	110
604997.901	Cannula for Removable Syringes in Stainless Steel 24 GA	310
6141-044	Tubing, Aliprene, White/White (pkg. of 6)	240
2251-990	Titration Preparation Kit	130

# Microcalorimetry - Nano Systems

## Nano DSC System

### Nano DSC System Accessories and Consumables

602000.921	Nano DSC Capillary Cell Accessory Kit	1,760
602198.901	Nano Differential Scanning Calorimeter (Nano DSC) Test Kit (contains water sample, glycine sample buffer, and lysozyme sample)	180
6326	Complete Degassing Station (110/230VAC)	6,140
99552110	Clear Plastic Vacuum Dome (for Complete Degassing Station (P/N: 6326))	250
603028	Vacuum Connection Hose Assembly (for Complete Degassing Station (P/N: 6326))	15
603050.901	96-well Plate Adapter for Degassing Station	215
6306	High Temperature Upgrade - Extends the Nano DSC Calorimeter temperature range to -10 to 160°C. Applies only to cylindrical cells. Must be ordered with a DSC System.	8,810
6111	Vinyl Caps (pkg. of 20) (for Capillary Cell) (recommended capillary cell consumable spare)	25
6312	Pressure Cap O-Ring (pkg. of 2) (recommended capillary cell consumable spare)	75
6313	Pressure Cap	845
6114	Tubing, Monosil, 2 feet (pkg. of 2) (recommended capillary cell consumable spare)	25
6115	Micropipetter (500 - 2500 µL) for Capillary Cell	755
6116	Pipetter Tips, used with Micropipetter (500 - 2500 µL) (P/N: 6115) (pkg. of 100)	105
6317	Cylindrical Cell Cleaning Tool	380
6118	O-Ring for Cylindrical Cell Cleaning Tool (pkg. of 4) (recommended cylindrical cell consumable spare)	75
6119	Syringe, 1 mL (for Cylindrical Cell) (recommended cylindrical cell consumable spare)	240
6120	Syringe Needle (5 inch) (for Cylindrical Cell) (recommended cylindrical cell consumable spare)	115
602035.001	AutoSampler Cable External (for connection of the Nano DSC AutoSampler Interface to the Nano DSC Instrument)	115

602214.901	AutoSampler Cable External (for connection of the Nano DSC AutoSampler Interface (P/N: 602215.901) to the Nano DSC Instrument (P/N: 602000.901))	115
602067.901	AutoSampler Solvent Inlet Assembly (pkg. of 5)	75
602068.901	AutoSampler Waste Line Assembly (pkg. of 2)	25
602069.901	AutoSampler Interface Tubing Assembly (pkg. of 1)	60
602071.001	96 Deep Well Plate (sample volume = 1.64 mL) (pkg. of 1) (for use with the Nano DSC AutoSampler)	20
602072.001	Sealing Mat 96 Well (pkg. of 1) (for use with the Nano DSC AutoSampler)	40
99555610	Cable, USB, 6 Ft. (pkg. of 1) (used to connect the Nano DSC AutoSampler to the computer)	15

## Affinity ITC System

### Affinity ITC System - Accessories and Consumables

601700.901	Affinity ITC Auto 96-Well Plate - 1.64 mL	360
601701.901	Affinity ITC Auto 96-Well Plate - 2.0 mL	360
601740.901	Affinity ITC LV Accessory Kit	3,610
601751.901	Affinity ITC SV Accessory Kit	3,190
601753.901	Affinity ITC Injection Syringe Assembly (250 µL)	1,240
601756.901	Affinity ITC LV Injection Cannula	1,130
601757.901	Affinity ITC SV Injection Cannula	1,130
601675.901	Affinity ITC LV Stirring Paddle Assembly	50
601676.901	Affinity ITC SV Stirring Paddle Assembly	50
601758.901	Affinity ITC Sample Load Adapter	50
601759.901	Affinity ITC Titrant Handling Needle	35
601760.901	Affinity ITC Auto LV Cell Fill/Wash Needle	25
601761.901	Affinity ITC Auto SV Cell Fill/Wash Needle	30
601762.901	Affinity ITC Autosampler Sample Loop	205
601763.901	Affinity ITC Sample Transfer Line Kit	100

## Nano ITC System

### Nano ITC System Accessories and Consumables

601000.921	Nano ITC Low Volume Accessory Kit	1,460
601001.921	Nano ITC Standard Volume Accessory Kit	1,160
601116.901	Nano Isothermal Titration Calorimeter (Nano ITC) Test Kit: contains reagents to run three (3) each water-water, n-propanol-water, and KCO <sub>3</sub> -HCl titrations	180
99552090	Teflon Coated Stir Rod for 1 mL Conical Vials	20
99552100	Teflon Coated Round Stir Rod (3 mm x 6.35 mm)	15
99552102	Teflon Coated Round Stir Rod (8 mm x 25 mm)	20
73714210	Vacuum Flask, Side Arm, 1000 mL	155
4801	1L Side-Arm Vacuum Flask Accessory (Glass)	240
5312	O-Ring for Nano ITC Titration Buret (pkg. of 2)	75
5317	Stainless Steel Cleaning Tool (for the Nano ITC Standard Volume (1 mL) Instrument)	540
601028.901	Stainless Steel Cleaning Tool (for the Nano ITC Low Volume (190 µL) Instrument)	540
5319	Vacuum Cup Replacement for Cleaning Tool for Titration Cell (P/N: 5317)	25
5342	Cell Filling Syringe for Nano ITC Standard Volume Instrument (recommended consumable spares)	200
5343	Filling Syringe Needle for Nano ITC Standard Volume (pkg. of 3) (recommended consumable spares)	155
5344	Titration Syringe with Needle (100 µL) (recommended spare for the Nano Standard Volume (1 mL) instrument.) <i>Note: Not for use with the Nano ITC Low Volume (190 µL) instrument.</i>	615
5345	Titration Syringe with Needle (250 µL) (recommended spare for the Nano Standard Volume (1 mL) instrument.) <i>Note: Not for use with the Nano ITC Low Volume (190 µL) instrument.</i>	615
305155610	Dummy ITC Needle (for use in the reference cell of the Nano ITC Standard Volume (1 mL) instrument)	105
601029.901	Dummy ITC Needle (for use in the reference cell of the Nano ITC Low Volume (190 µL) instrument)	155
5346	Titration Syringe with Needle (50 µL) (recommended spare for Nano ITC Low Volume (190 µL) instrument.)	615
5347	Cell Filling Syringe with Needle (0.5 mL) (recommended spare for the Nano ITC Low Volume (190 µL) instrument.) <i>Note: Not recommended for use with the Nano ITC Standard Volume (1 mL) instrument.</i>	250

5348	Cell Filling Syringe (0.5 mL) (recommended spare for the Nano ITC Low Volume (190 µL) instrument.)	240
5349	Filling Syringe Needle (pkg. of 3) (recommended spare for the Nano ITC Low Volume (190 µL) instrument.) <i>Note: Not recommended for the Nano ITC Standard Volume (1 mL) instrument.</i>	75
601169.901	Nano ITC Standard Buret Handle <i>Note: Not for use with organic solvents.</i>	2,970
601220.901	Nano ITC Organic Solvent Buret Handle (for use with the Nano ITC when using organic solvents)	4,030
601234.901	Nano ITC Buret and Syringe Stand Kit	125
601221.001	Nano ITC Buret O-Rings (Kalrez) (pkg. of 1)	140
601277.001	Titration Syringe Plunger, 50 µL	165
601278.001	Titration Syringe Plunger, 100 µL	165
601279.001	Titration Syringe Plunger, 250 µL	165
601274.901	Titration Syringe with Needle, 50 µL (Organic Solvent Compatible)	660
601275.901	Titration Syringe with Needle, 100 µL (Organic Solvent Compatible)	660
601276.901	Titration Syringe with Needle, 250 µL (Organic Solvent Compatible)	660

## Multi-Cell DSC System

### Multi-Cell DSC System Accessories and Components

600072.901	MC DSC Accessory Kit	1,860
600088.901	MC DSC Gas Flow Meter (for use with MC DSC P/N: 600000.901)	405
600086.001	MC DSC Gas Flow Meter Stand (only for use with MC DSC Gas Flow Meter P/N: 600088.901)	40
4129	Gas Regulator (0 to 4000 psi/0 to 15 psi) <i>Note: North American use ONLY</i>	740
4130	Second User Ampoule Kit (pkg. of 4)	7,420
4128-1	High Capacity Cooling Bath (115V)	6,560
4128-2	High Capacity Cooling Bath (230V)	6,560
4171	High Pressure Ampoule Kit for MC-DSC (pkg. of 4)	19,100
4175	Batch Mixing Ampoule Kit (pkg. of 3)	22,900
4176	Probe Accessible Cells (pkg. of 4)	10,100
200266.001	RCS Gas Dryer <i>Note: Also for use with the Multi-Cell DSC System</i>	530



## Thermophysical Parts and Accessories (DXF, DLF, and DTC Instruments)

### Xenon and Laser Flash Parts and Accessories (DXF and DLF)

201786.001	Flash Diffusivity Circulator Model 10-300 for 500 °C - 1600 °C Furnaces	4,020
202315.001	Vacuum Module for DXF-500/900 & DLF-1200/1600: includes vacuum pump, thermocouple, and gauge	6,120
853024.901	In-Plane Test Kit for DXF-200 for thermal diffusivity determination in the X-Y plane: includes analysis software	3,170
853107.901	In-Plane Test Kit, 25.4 mm OD, for use with DXF-500/900 & DLF-1200	1,650
202316.001	Graphite Spray Paint (10 oz. can) for DXF/DLF Sample Preparation	50
202417.001	Graphite Brush-on Paint	110
853161.901	Silver Paint (1 oz. Vial) for DXF-200 Sample Preparation	155
202419.001	Laser Coolant (1 Liter Bottle) for DLF-2 Laser Module <i>Note: NOT for use with the DLF-1600.</i>	165
853103.901	Carousel Assembly, Graphite (for FL5000 and old EM-2800)	4,920
853127.901	Carousel Assembly, Graphite, 6-Position, 12.7 mm (for FL5000/Old EM-2800)	4,920
853126.001	Carousel Assembly, Alumina, 4-Position, 16 mm (for FL-4010/Old EM-1600)	5,110
856305.901	Carousel Assembly, Alumina, 6-Position, 12.7 mm (for FL-4010/Old EM-1600)	5,110
853771.901	Liquid Cell, Aluminum (1.0" OD) for DXF-200 (Previously DXF & EM-200) <i>Note: NOT for use with DXF-500 or DXF-900 models.</i>	1,670
853133.901	Melt Capsule, Molybdeum, 16 mm OD for FL-4010	1,670

### Xenon and Laser Flash - Reference Materials

#### Alumina Reference Materials

853155.001	Alumina Reference 8 mm Square x 3.175 mm Thick	710
853156.001	Alumina Reference (with data) 10 mm Square x 3.175 mm Thick	710
853154.001	Alumina Reference (with data) 12.7 mm OD x 3.175 mm Thick	545

### Vespel Reference Materials

853809.901	Vespel Reference (with data) 8 mm Square x 1.27 mm Thick	900
853810.901	Vespel Reference (with data) 10 mm Square x 1.27 mm Thick	900
853811.901	Vespel Reference (with data) 12.7 mm Square x 1.27 mm Thick	900
853813.901	Vespel Reference (with data) 8 mm OD x 1.27 mm Thick	610
853814.901	Vespel Reference (with data) 10 mm OD x 1.27 mm Thick	610
853152.901	Vespel Reference (with data) 12.7 mm OD x 1.27 mm Thick	350
853812.901	Vespel Reference (with data) 25.4 mm OD x 1.27 mm Thick	610

### Electrolytic Iron Reference Materials

853815.901	Electrolytic Iron Reference (with data) 8 mm Square x 2.54 mm Thick	435
853816.901	Electrolytic Iron Reference (with data) 10 mm Square x 2.54 mm Thick	435
853817.901	Electrolytic Iron Reference (with data) 12.7 mm Square x 2.54 mm Thick	435
853818.901	Electrolytic Iron Reference (with data) 8 mm OD x 2.54 mm Thick	435
853819.901	Electrolytic Iron Reference (with data) 10 mm OD x 2.54 mm Thick	435
853145.901	Electrolytic Iron Reference (with data) 12.7 mm OD x 2.54 mm Thick	245
853146.901	Electrolytic Iron Reference (with data) 25.4 mm OD x 2.54 mm Thick	825

### OFHC Copper Reference Materials

853820.901	OFHC Copper Reference (with data) 8 mm Square x 5.08 mm Thick	405
853821.901	OFHC Copper Reference (with data) 10 mm Square x 5.08 mm Thick	405
853822.901	OFHC Copper Reference (with data) 12.7 mm Square x 5.08 mm Thick	405
853824.901	OFHC Copper Reference (with data) 8 mm OD x 5.08 mm Thick	405
853825.901	OFHC Copper Reference (with data) 10 mm OD x 5.08 mm Thick	405
853147.901	OFHC Copper Reference (with data) 12.7 mm OD x 5.08 mm Thick	300
853823.901	OFHC Copper Reference (with data) 25.4 mm OD x 5.08 mm Thick	405

### Molybdenum Reference Materials

853826.901	Molybdenum Reference (with data) 8 mm Square x 3.175 mm Thick	405
853827.901	Molybdenum Reference (with data) 10 mm Square x 3.175 mm Thick	405
853828.901	Molybdenum Reference (with data) 12.7 mm Square x 3.175 mm Thick	405
853830.901	Molybdenum Reference (with data) 8 mm OD x 3.175 mm Thick	405
853831.901	Molybdenum Reference (with data) 10 mm OD x 3.175 mm Thick	405
853157.901	Molybdenum Reference (with data) 12.7 mm OD x 3.175 mm Thick	420
853829.901	Molybdenum Reference (with data) 25.4 mm OD x 3.175 mm Thick	405

### Stainless Steel Reference Materials

853832.901	Stainless Steel Reference (with data) 8 mm Square x 1.58 mm Thick	405
853833.901	Stainless Steel Reference (with data) 10 mm Square x 1.58 mm Thick	405
853834.901	Stainless Steel Reference (with data) 12.7 mm Square x 1.58 mm Thick	405
853835.901	Stainless Steel Reference (with data) 8 mm OD x 1.58 mm Thick	405
853836.901	Stainless Steel Reference (with data) 10 mm OD x 1.58 mm Thick	405
853143.901	Stainless Steel Reference (with data) 12.7 mm OD x 1.58 mm Thick	225
853144.901	Stainless Steel Reference (with data) 25.4 mm OD x 1.58 mm Thick	225

### Thermographite Reference Materials

853805.901	Thermographite Reference (with data) 8 mm Square x 3.175 mm Thick	370
853137.901	Thermographite Reference (with data) 10 mm Square x 3.175 mm Thick	370
853139.901	Thermographite Reference (with data) 12.7 mm Square x 3.175 mm Thick	855

853837.901	Thermographite Reference (with data) 8 mm OD x 3.175 mm Thick	370
853136.901	Thermographite Reference (with data) 10 mm OD x 3.175 mm Thick	370
853135.901	Thermographite Reference (with data) 12.7 mm OD, 3.175 mm Thick	370
853142.901	Thermographite Reference (with data) 25.4 mm OD x 3.175 mm Thick	1,220

### Xenon and Laser Flash - Sample Holders

#### DXF-200 Sample Holders

117835.001	Adapter Ring, Aluminum, 25.4 mm Diameter to 8 mm Diameter, DXF-200	545
119919.001	Adapter Ring, Aluminum, 25.4 mm Diameter to 8 mm Square, DXF-200	660
119916.001	Adapter Ring, Aluminum, 25.4 mm Diameter to 10 mm Diameter, DXF-200	545
119918.001	Adapter Ring, Aluminum, 25.4 mm Diameter to 10 mm Square, DXF-200	660
110133	Adapter Ring, Aluminum, 25.4 mm Diameter to 12.7 mm Diameter, DXF-200	545
117808.001	Adapter Ring, Aluminum, 25.4 mm Diameter to 12.7 mm Square, DXF-200	660

#### DXF-500/900 & DLF-1200 Sample Holders

856292.901	Sample Isolator Ring Set, 8 mm OD/SQ, DXF-500/900 & DLF-1200	825
856293.901	Sample Isolator Ring Set, 10 mm OD/SQ, DXF-500/900 & DLF-1200	825
853642.901	Sample Isolator Ring Set, 12.7 mm OD/SQ, DXF-500/900 & DLF-1200	825
856333.901	Sample Holder, Mullite, 8 mm Diameter, DXF-500/900 & DLF-1200	465
856334.901	Sample Holder, Mullite, 8 mm Square, DXF-500/900 & DLF-1200	465
856335.901	Sample Holder, Mullite, 10 mm Diameter, DXF-500/900 & DLF-1200	670
856336.901	Sample Holder, Mullite, 10 mm Square, DXF-500/900 & DLF-1200	670
853473.901	Sample Holder, Mullite, 12.7 mm Diameter, DXF-500/900 & DLF-1200	670
856337.901	Sample Holder, Mullite, 12.7 mm Square, DXF-500/900 & DLF-1200	670
856338.901	Sample Holder, Mullite, 25.4 mm Square, DXF-500/900 & DLF-1200	875
856289.901	Sample Holder - Single Block, 4-Position, Mullite, 8 mm Diameter, DXF-500/900 & DLF-1200	1,750

856291.901	Sample Holder - Single Block, 4-Position, Mullite, 8 mm Square, DXF-500/900 & DLF-1200	1,750
856285.901	Sample Holder - Single Block, 4-Position, Mullite, 10 mm Diameter, DXF-500/900 & DLF-1200	1,750
856287.901	Sample Holder - Single Block, 4-Position, Mullite, 10 mm Square, DXF-500/900 & DLF-1200	1,750
853698.901	Sample Holder - Single Block, 4-Position, Mullite, 12.7 mm Diameter, DXF-500/900 & DLF-1200	1,750
856283.901	Sample Holder - Single Block, 4-Position, Mullite, 12.7 mm Square, DXF-500/900 & DLF-1200	1,750
853699.901	Sample Holder - Single Block, 2-Position, Mullite, 25.4 mm Diameter, DXF-500/900 & DLF-1200	1,750
856298.901	Sample Holder - Single Block, 4-Position, Mullite, 8 mm Diameter, plus Ring, DXF-500/900 & DLF-1200	2,580
856298.902	Sample Holder - Single Block, 4-Position, Mullite, 8 mm Square, plus Ring, DXF-500/900 & DLF-1200	2,580
856297.901	Sample Holder - Single Block, 4-Position, Mullite, 10 mm Diameter, plus Ring, DXF-500/900 & DLF-1200	2,580
856297.902	Sample Holder - Single Block, 4-Position, Mullite, 10 mm Square, plus Ring, DXF-500/900 & DLF-1200	2,580
856296.901	Sample Holder - Single Block, 4-Position, Mullite, 12.7 mm Diameter, plus Ring, DXF-500/900 & DLF-1200	2,580
856296.902	Sample Holder - Single Block, 4-Position, Mullite, 12.7 mm Square, plus Ring, DXF-500/900 & DLF-1200	2,580



EM-1600 Ceramic  
Sample Carousel



EM-2800 Graphite  
Sample Carouse

### EM-1600 Sample Holders

116794.001	Adapter Ring, Molybdenum, 8 mm Diameter, EM-1600	545
853132.901	Adapter Ring, Molybdenum, 8 mm Square, EM-1600	575
116791.001	Adapter Ring, Molybdenum, 10 mm Diameter, EM-1600	545
116795.001	Adapter Ring, Molybdenum, 10 mm Square, EM-1600 (4 Position Only)	660
116790.001	Adapter Ring, Molybdenum, 12.7 mm Diameter, EM-1600	545

### EM-2800 Sample Holders

116797.001	Adapter Ring, Graphite, 8 mm Diameter, EM-2800	280
116798.001	Adapter Ring, Graphite, 8 mm Square, EM-2800	330
116796.001	Adapter Ring, Graphite, 10 mm Diameter, EM-2800	280

### Thermal Conductivity Parts and Accessories (DTC Instruments)

854135.001	Heat Transfer Compound, Jar, DTC-25/DTC-300	100
854100.901	Paste Cell, 50.8 mm OD, DTC-25/DTC-300	1,320
854101.901	Liquid Cell, 50.8 mm OD, DTC-25/DTC-300	1,320
854154.901	Liquid Cell Seal Kit (pkg. of 4) (for use in the DTC-300 Thermal Conductivity Meter)	330
854330.901	Polymer thru the Melt Cell DTC-25/300	1,960
854203.901	Spacer Seal Ring Kit for Polymer thru the Melt Cell DTC-25/300 (P/N: 854330.901)	825

### Thermal Conductivity Chiller/Circulator

202610.001	Chiller/Circulator, 6L Reservoir, 120VAC (for use with the DTC-25 Thermal Conductivity Meter)	4,700
202611.001	Chiller/Circulator, 6L Reservoir, 240VAC (for use with the DTC-25 Thermal Conductivity Meter)	4,700
202612.001	Chiller/Circulator, 13L Reservoir, 120VAC (for use with the DTC-300 Thermal Conductivity Meter)	5,460
202442.001	Chiller/Circulator, 13L Reservoir, 240VAC (for use with the DTC-300 Thermal Conductivity Meter)	5,460

### Thermal Conductivity Stack Modules

854108.901	Stack Module, Low Range, 0.0005 - 0.01 m <sup>2</sup> *K/W	5,900
854266.901	Stack Module, Mid Range, 0.002 - 0.02 m <sup>2</sup> *K/W	5,900
854111.901	Stack Module, High Range, 0.01 - 0.05 m <sup>2</sup> *K/W	5,900

### Thermal Conductivity Reference Materials

#### Thermal Conductivity Reference Material Sets

854325.901	DTC-25/300 Low-Resistance Material Reference Set	1,960
854326.901	DTC-300 Mid-Resistance Reference Material Set	1,960
854327.901	DTC-300 High-Resistance Reference Material Set	1,960
854201.901	DTC-25/300 Vespel Reference Material Set (with data)	1,650

#### Thermal Conductivity Stainless Steel Reference Materials

854122.901	Stainless Steel Reference (with data) 25.4 mm OD x 3.175 mm Thick	545
854121.901	Stainless Steel Reference 25.4 mm OD x 6.35 mm Thick	700
854120.901	Stainless Steel Reference 25.4 mm OD x 12.7 mm Thick	865
854119.901	Stainless Steel Reference (with data) 50.8 mm OD x 6.35 mm Thick	350
854118.901	Stainless Steel Reference (with data) 50.8 mm OD x 12.7 mm Thick	435
854117.901	Stainless Steel Reference (with data) 50.8 mm OD x 19.05 mm Thick	515
854114.901	Stainless Steel Reference 50.8 mm OD x 15.88 mm Thick	515
854115.901	Stainless Steel Reference (with data) 50.8 mm OD x 25.4 mm Thick	515

#### Thermal Conductivity Vespel Reference Materials

854130.901	Vespel Reference (with data) 25.4 mm square x 6.35 mm Thick	1,030
854126.901	Vespel Reference (with data) 50.8 mm OD x 1.58 mm Thick	515
854150.001	Vespel Reference (with data) 50.8 mm OD x 2.54 mm Thick	515
854131.901	Vespel Reference (with data) 50.8 mm OD x 3.175 mm Thick	515
854151.001	Vespel Reference (with data) 50.8 mm OD x 4.76 mm Thick	595
854129.901	Vespel Reference (with data) 50.8 mm OD x 6.35 mm Thick	595
854132.901	Vespel Reference (with data) 50.8 mm OD x 9.525 mm Thick	845
854152.001	Vespel Reference (with data) 50.8 mm OD x 12.7 mm Thick	1,190
854153.001	Vespel Reference (with data) 50.8 mm OD x 19.05 mm Thick	1,370

### Dilatometers - DIL Instruments and System Components

#### DIL805 Quenching Dilatometer - Major Options

863160.901	Alpha Measuring Head for DIL805 Dilatometer: for use with DIL805A Quenching Dilatometer (P/N: 863001.901); DIL805A/D Quenching and Deformation Dilatometer (P/N: 863002.901); and DIL805A/D/T Quenching, Deformation, and Tension Dilatometer (P/N: 863003.901)	10,500
863170.901	Sub-Zero Module for DIL805 Dilatometer (requires Alpha Measuring Head (P/N: 863160.901)); for use with DIL805A Quenching Dilatometer (P/N: 863001.901); DIL805A/D Quenching and Deformation Dilatometer (P/N: 863002.901); and DIL805A/D/T Quenching, Deformation, and Tension Dilatometer (P/N: 863003.901)	15,800
863180.901	Thermocouple Placement Apparatus for DIL805: for use with DIL805A Quenching Dilatometer (P/N: 863001.901); DIL805A/D Quenching and Deformation Dilatometer (P/N: 863002.901); and DIL805A/D/T Quenching, Deformation, and Tension Dilatometer (P/N: 863003.901)	9,450
863190.901	Optical Kit - Quenching Module for DIL805: for use with DIL805A Quenching Dilatometer (P/N: 863001.901); DIL805A/D Quenching and Deformation Dilatometer (P/N: 863002.901); and DIL805A/D/T Quenching, Deformation, and Tension Dilatometer	3,250
863220.901	Optical Kit - Deformation Module for DIL805: for use with DIL805A/D Quenching and Deformation Dilatometer (P/N: 863002.901) and DIL805A/D/T Quenching, Deformation, and Tension Dilatometer (P/N: 863003.901)	3,250
863230.901	Optical Kit - Tension and Compression Module DIL805: for use with DIL805A/D/T Quenching, Deformation, and Tension Dilatometer (P/N: 863003.901)	3,250
863240.901	Optical Kit - Alpha Measuring Head for DIL805: for use with the Alpha Measuring Head (P/N: 863160.901)	3,940
863359.901	Optical Measuring System for DIL805	30,800
863406.901	Standard Reference Material Platinum (Dia. = 4 mm; Length = 10 mm ) with Thermocouple for DIL805 Alpha	2,080
863403.901	Function Generator for DIL805 Tension and Compression	8,610
863209.901	Software - Temperature Function Generator for DIL805A	6,660
863394.901	Drawer Cabinet for DIL805 only	2,120
863381.901	Circulating Cooler (water-to-air) for DIL805	6,460
863381.902	Circulating Cooler (water-to-water) for DIL805	6,460



## DIL805 Quenching Dilatometer - System Components

### DIL805 Quenching Dilatometer - System Components - Measuring Systems

863343.901	Dilatometer Measuring System DIL805A (Al <sub>2</sub> O <sub>3</sub> , Type S)	890
863540.901	Dilatometer Measuring System DIL805A (Fused Silica, Type K) for DIL805 up to S/N: 6925	660
863342.901	Dilatometer Measuring System DIL805A (Fused Silica, Type S)	690
863344.901	Dilatometer Measuring System DIL805D (Al <sub>2</sub> O <sub>3</sub> , Type S)	935
863345.901	Dilatometer Measuring System DIL805D (Fused Silica, Type S)	835
863341.901	Dilatometer Measuring System DIL805T Tension and Compression (Type S)	1,490
863340.901	Dilatometer Measuring System Alpha Measuring Head (Al <sub>2</sub> O <sub>3</sub> , Type S)	1,520
863401.901	Dilatometer Measuring System Alpha Measuring Head (Fused Silica, Type K)	1,830
863339.901	Dilatometer Measuring System Alpha Measuring Head (Fused Silica, Type S)	1,420

### DIL805 Quenching Dilatometer - System Components - Transmission Rods

863426.002	Transmission Rod Solid Al <sub>2</sub> O <sub>3</sub> (Dia. = 4 mm, Length = 133.5 mm) for DIL805	235
863497.002	Transmission Rod Solid Fused Silica (Dia. = 3 mm, Length = 133.5 mm) for DIL805	155
863266.001	Transmission Rod Al <sub>2</sub> O <sub>3</sub> (Dia. = 4 mm; Length = 100.5 mm) for DIL805T	290
863265.001	Transmission Rod Fused Silica (Dia. = 4 mm; Length = 100.5 mm) for DIL805T	260
863420.003	Transmission Rod Fused Silica (Length = 113.5 mm) for DIL805	330
863420.002	Transmission Rod Fused Silica (Dia. = 4 mm; Length = 123.5 mm) for DIL805	330
863421.001	Transmission Rod Fused Silica (Dia. = 3 mm; Length = 163.5 mm) for DIL805A/805L	215
863414.001	Transmission Rod with hole for gas Fused Silica (Dia. = 4 mm; Length = 145 mm) for DIL805 Alpha	400
863426.001	Transmission Rod with hole for gas Al <sub>2</sub> O <sub>3</sub> (Dia. = 4 mm; Length = 133.5 mm) for DIL805A/805L	440
863420.001	Transmission Rod with hole for gas Fused Silica (Dia. = 4 mm; Length = 133.5 mm) for DIL805A/805L	330

863427.001	Transmission Rod Al <sub>2</sub> O <sub>3</sub> (Dia. = 3 mm; Length = 163.5 mm) for DIL805A/805L	330
863262.001	Transmission Rod Al <sub>2</sub> O <sub>3</sub> (Dia. = 4 mm; Length = 145 mm) for DIL805 Alpha	150
863497.001	Transmission Rod Solid Fused Silica (Dia. = 2 mm; Length = 133.5 mm) for DIL805A/805L	185
863560.901	Transmission Rod Solid Fused Silica (Dia. = 2 mm, Length = 145 mm) for DIL805 Alpha	135
863560.902	Transmission Rod Solid Fused Silica (Dia. = 3 mm, Length = 145 mm) for DIL805 Alpha	135
863505.001	Transmission Rod Solid Fused Silica (Dia. = 2 mm; Length = 126.5 mm) for DIL805A S/N: 4013	160
863525.001	Transmission Rod Solid Fused Silica (Dia. = 2 mm; Length = 138 mm) for DIL805A S/N: 4013	210
863541.001	Transmission Rod Fused Silica (Dia. = 4 mm; Length = 133.5 mm) for DIL805A instruments up to S/N: 6925	190
863542.001	Transmission Rod Fused Silica (Dia. = 4 mm; Length = 163.5 mm) for DIL805A instruments up to S/N: 6925	135
863396.001	Heating Ring Mo for DIL805A	1,790
863397.001	Heating Ring Pt for DIL805A	6,970
863261.001	Molybdenum Disk (Dia. = 8 mm; Thickness = 0.1 mm) for DIL805D	5

### DIL805 Quenching Dilatometer - System Components - Sample Supports

863600.901	Clamping Device for Flat Samples for DIL805T	530
863267.001	Spacer Ring (for 9 mm tension tests) for DIL805T	25
863503.001	Sample Support (M7) Right for DIL805T	180
863504.001	Sample Support (M7) Left for DIL805T	215
863428.002	Opposite Support Solid Al <sub>2</sub> O <sub>3</sub> (Dia. = 4 mm) for DIL805	175
863496.002	Opposite Support Solid Fused Silica (Dia. = 3 mm) for DIL805	125
863263.001	Opposite Support Al <sub>2</sub> O <sub>3</sub> (Length = 64 mm; OD = 4 mm) for DIL805 Alpha	475
863446.001	Opposite Support Fused Silica (Length = 64 mm; OD = 4 mm) for DIL805 Alpha	375
863413.001	Holder for Opposite Support Fused Silica (including compression spring and clamping bar) for DIL805 Alpha	585
863561.001	Opposite Support Solid Fused Silica (Dia. = 2 mm, Length = 64 mm) for DIL805 Alpha	520
863561.002	Opposite Support Solid Fused Silica (Dia. = 3 mm, Length = 64 mm) for DIL805 Alpha	420

863446.002	Opposite Support (Dia. = 4 mm; Shifted 7 mm) for DIL805 Alpha Optical	850
863422.003	Opposite Support Fused Silica (Length = 55.5 mm) for DIL805	260
863422.002	Opposite Support Fused Silica (Length = 65.5 mm) for DIL805	260
863428.001	Opposite Support Al <sub>2</sub> O <sub>3</sub> (Dia. = 4 mm) for DIL805A/805L	375
863422.001	Opposite Support Fused Silica (Dia. = 4 mm) for DIL805A/805L	260
863415.001	Opposite Support with Hose Connection Fused Silica (OD = 4 mm; Length = 64 mm) for DIL805 Sub-Zero	705
863543.001	Opposite Support with Hose Connection Fused Silica (Dia. = 4 mm; Length = 63.5 mm) for DIL805A Sub-Zero instruments up to S/N: 6925	155
863496.001	Opposite Support Solid Fused Silica (Dia. = 2 mm) for DIL805A	155
863506.001	Opposite Support Fused Silica (Dia. = 8 mm) for DIL805A instrument S/N: 4013	295

### DIL805 Quenching Dilatometer - System Components - Induction Coils

863306.901	Induction Coil for DIL805 (Dia. = 16 mm; Height = 82 mm; Length = 30 mm)	2,960
863303.901	Induction Coil for DIL805HR (Dia. = 20 mm; Height = 82 mm; Length = 35 mm)	2,960
863302.901	Induction Coil for DIL805T (Dia. = 20 mm; Height = 82 mm; Length = 30 mm)	2,960
863295.901	Induction Coil for Flat Samples for DIL805T (Dia. = 38 mm; Height = 61 mm)	2,960
863299.901	Induction Coil for Flat Samples for DIL805T (Dia. = 27 mm; Height = 79 mm)	2,960
863498.901	Induction Coil for DIL805A Teflon (Dia. = 7 mm; Height = 82 mm; Length = 30 mm)	3,270
863530.001	Induction Coil for DIL805DSC (Dia. = 22 mm; Height = 82 mm; Length = 50 mm)	3,250
863531.001	Induction Coil for DIL805A Optic (Dia. = 16 mm; Height = 82 mm; Length = 30 mm)	3,250
863532.001	Induction Coil for DIL805D Optic (Dia. = 16 mm; Height = 82 mm; Length = 30 mm)	3,250
863533.001	Induction Coil for DIL805T Optic (Dia. = 20 mm; Height = 82 mm; Length = 30 mm)	3,250
863534.001	Induction Coil for DIL805 Alpha Optic (Dia. = 16 mm; Height = 75 mm; Length = 30 mm)	3,250
863536.003	Induction Coil for DIL805T (Dia. = 20 mm; Height = 67 mm; Length = 16 mm)	3,250

863536.002	Induction Coil for DIL805T (Dia. = 20 mm; Height = 67 mm; Length = 60 mm)	3,250
863302.903	Induction Coil for DIL805T (Dia. = 20 mm; Height = 82 mm; Length = 16 mm)	3,250
863535.001	Induction Coil for DIL805 (Dia. = 16 mm; Height = 67 mm; Length = 30 mm) for DIL805 instruments up to S/N: 6925	3,250
863537.001	Induction Coil for DIL805A Teflon (Dia. = 7 mm; Height = 67 mm; Length = 30 mm) for DIL805 instruments up to S/N: 6925	3,250
863539.001	Induction Coil for DIL805DSC (Dia. = 22 mm; Height = 90 mm; Length = 50 mm) for DIL805 instruments up to S/N: 6925	3,250
863538.001	Induction Coil for DIL805HR (Dia. = 20 mm; Height = 67 mm; Length = 35 mm) for DIL805 instruments up to S/N: 6925	3,250
863536.001	Induction Coil for DIL805T (Dia. = 20 mm; Height = 67 mm; Length = 30 mm) for DIL805 instruments up to S/N: 6925	3,250
863803.901	Induction Coil for TTS820 (Dia. = 35 mm; Length = 72 mm; 8 windings; A = 4x4 rectangular copper wire 4x4 mm)	3,890

### DIL805 Quenching Dilatometer - System Components - Deformation Punches

202585.001	Deformation Punch Left Al <sub>2</sub> O <sub>3</sub>	220
202584.001	Deformation Punch Right Al <sub>2</sub> O <sub>3</sub>	260
202586.001	Deformation Punch Left Fused Silica	260
863432.001	Deformation Punch Right Fused Silica	305
202703.001	Deformation Punch Left Si <sub>3</sub> Ni <sub>4</sub>	625
202702.001	Deformation Punch Right Si <sub>3</sub> Ni <sub>4</sub>	700

### DIL801/802/803/801L/802L/803L/806/TMA801/STA/STD812 Instruments - System Components

#### DIL80X Series Dilatometers - System Components - Options

863377.901	Dewar for LN <sub>2</sub> (0.5 bar) (for sub-zero furnaces)	5,300
863380.001	Circulation Thermostat for DIL and STA Measuring Head	3,180
863391.001	Water Supply Module	1,270
863393.001	Gas Supply Module	6,400
863386.001	Vacuum Unit for 10 <sup>-2</sup> mbar	7,080

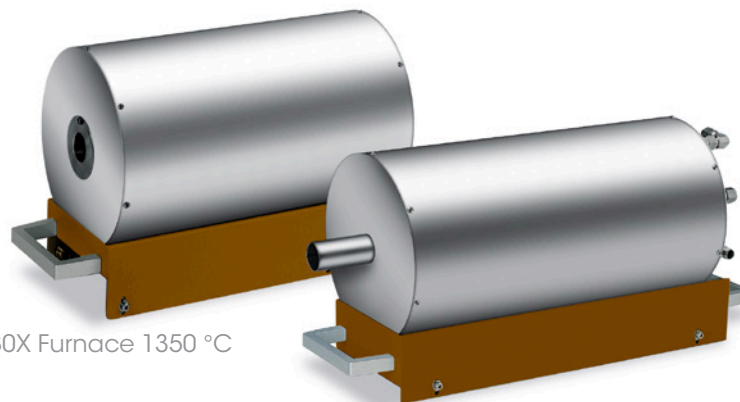
## DIL80X Series Dilatometers - System Components - Measuring Systems

863329.901	Dilatometer Measuring System DIL801 (Al <sub>2</sub> O <sub>3</sub> , Type B)	1,660
863328.901	Dilatometer Measuring System DIL801 (Al <sub>2</sub> O <sub>3</sub> , Type S)	1,420
863326.901	Dilatometer Measuring System DIL801 (Fused Silica, Type K)	1,070
863327.901	Dilatometer Measuring System DIL801 (Fused Silica, Type S)	1,160
863399.901	Dilatometer Measuring System DIL801 (Graphite, 2300 °C)	2,870
863333.901	Dilatometer Measuring System DIL802 (Al <sub>2</sub> O <sub>3</sub> , Type B)	1,830
863332.901	Dilatometer Measuring System DIL802 (Al <sub>2</sub> O <sub>3</sub> , Type S)	1,620
863330.901	Dilatometer Measuring System DIL802 (Fused Silica, Type K)	1,100
863331.901	Dilatometer Measuring System DIL802 (Fused Silica, Type S)	1,310
863334.901	Dilatometer Measuring System DIL802 (Graphite, Type B)	2,870
863338.901	Dilatometer Measuring System DIL803 (Al <sub>2</sub> O <sub>3</sub> , Type B)	1,830
863337.901	Dilatometer Measuring System DIL803 (Al <sub>2</sub> O <sub>3</sub> , Type S)	1,620
863335.901	Dilatometer Measuring System DIL803 (Fused Silica, Type K)	1,100
863336.901	Dilatometer Measuring System DIL803 (Fused Silica, Type S)	1,310
863317.901	Dilatometer Measuring System DIL801L (Al <sub>2</sub> O <sub>3</sub> , Type B)	1,480
863322.901	Dilatometer Measuring System DIL801L (Al <sub>2</sub> O <sub>3</sub> , Type S)	1,420
863630.901	Dilatometer Measuring System DIL801L (Al <sub>2</sub> O <sub>3</sub> , Type S) (Diameter = 11 mm; Length = 275 mm)	1,240
863320.901	Dilatometer Measuring System DIL801L (Fused Silica, Type K)	980
863321.901	Dilatometer Measuring System DIL801L (Fused Silica, Type S)	1,160
863318.901	Dilatometer Measuring System DIL802L (Al <sub>2</sub> O <sub>3</sub> , Type B)	1,670
863325.901	Dilatometer Measuring System DIL802L (Al <sub>2</sub> O <sub>3</sub> , Type S)	1,620
863323.901	Dilatometer Measuring System DIL802L (Fused Silica, Type K)	1,100
863324.901	Dilatometer Measuring System DIL802L (Fused Silica, Type S)	1,310
863319.901	Dilatometer Measuring System DIL803L (Al <sub>2</sub> O <sub>3</sub> , Type B)	1,670
863316.901	Dilatometer Measuring System DIL803L (Al <sub>2</sub> O <sub>3</sub> , Type S)	1,620
863526.001	Dilatometer Measuring System DIL803L (Al <sub>2</sub> O <sub>3</sub> ) (Diameter = 20 mm)	2,200
863314.901	Dilatometer Measuring System DIL803L (Fused Silica, Type K)	1,100
863315.901	Dilatometer Measuring System DIL803L (Fused Silica, Type S)	1,310
863353.001	Dilatometer Measuring System DIL806 (Al <sub>2</sub> O <sub>3</sub> , Type S)	745
863351.001	Dilatometer Measuring System DIL806 (Fused Silica, Type K)	645

863352.001	Dilatometer Measuring System DIL806 (Fused Silica, Type S)	710
863412.901	Dilatometer Measuring System TMA801 (Al <sub>2</sub> O <sub>3</sub> , Type B)	2,420
863411.901	Dilatometer Measuring System TMA801 (Al <sub>2</sub> O <sub>3</sub> , Type S)	2,350
863831.901	Dilatometer Measuring System TMA813 (Al <sub>2</sub> O <sub>3</sub> , Type B)	1,290
863468.001	Fused Silica Rod for Dilatometer Measuring System (P/N: 863351.001 and P/N: 863352.001) (Dia. = 2 mm) for DIL806 only	25
863472.001	Al <sub>2</sub> O <sub>3</sub> Rod for Dilatometer Measuring System (P/N: 863353.001) (Dia. = 2 mm) for DIL806 only	35
863637.901	Inert Samples, Fused Silica (Diameter = 10, 20, 25, 50 mm) for DIL802/802L only	95
863638.901	Inert Samples, Al <sub>2</sub> O <sub>3</sub> (Diameter = 10, 20, 25, 50 mm) for DIL802/802L only	300

## DIL80X Series Dilatometers - System Components - Protection Tubes

863349.001	Dilatometer Protection Tube Al <sub>2</sub> O <sub>3</sub> (Diameter = 28 mm; Length = 304 mm) for DIL801/802/803	540
863348.001	Dilatometer Protection Tube Fused Silica (Diameter = 31 mm; Length = 309 mm) for DIL801/802/803	450
863350.001	Dilatometer Protection Tube Al <sub>2</sub> O <sub>3</sub> (Diameter = 21 mm; Length = 296 mm) for Furnace P/N: 863368.901	655
863463.001	Convection-Protection Tube Fused Silica for DIL801L/802L/803L	235
863635.901	Dilatometer Protection Tube Al <sub>2</sub> O <sub>3</sub> (for Graphite Furnace) for DIL80X	1,340
863507.001	Protection Tube Al <sub>2</sub> O <sub>3</sub> (ID = 28 mm; Length = 354 mm) for DIL801/802/803	540
863509.001	Protection Tube Al <sub>2</sub> O <sub>3</sub> (ID = 21 mm; Length = 336 mm) for TMA801	710



DIL80X Furnace 1350 °C

DIL80X Furnace -160 °C

### DIL80X Series Dilatometers - System Components - Furnaces

863376.901	Furnace -160 °C up to 700 °C for DIL	4,040
863690.901	Furnace 1000 °C Water Cooled (with fan) for DIL801/802/803 and DIL801L/802L/803L	6,490
863366.901	Furnace 1350 °C for DIL	2,710
863366.902	Furnace 1350 °C for DIL (up to S/N: 5144)	2,710
863367.901	Furnace 1500 °C for DIL	5,150
863368.901	Furnace Max. 1720 °C for DIL	24,400
863374.901	Furnace -150 °C up to 600 °C (Inert Gas, Vacuum) for DIL806	23,400
863372.901	Furnace 900 °C (Inert Gas, Vacuum) for DIL806	10,600
863370.901	Furnace 1400 °C (Inert Gas, Vacuum) for DIL806	25,900

### DIL80X Series Dilatometers - System Components - Transmission Rods

863632.901	Transmission Rod Al <sub>2</sub> O <sub>3</sub> (Dia. = 4 mm; Length = 270 mm) for DIL801L	165
863500.001	Transmission Rod Al <sub>2</sub> O <sub>3</sub> (Dia. = 4 mm; Length = 282.5 mm) for DIL801L	190
863464.001	Transmission Rod Al <sub>2</sub> O <sub>3</sub> (Dia. = 4 mm; Length = 345 mm) for DIL801L/802L/803L	190
863455.001	Transmission Rod Al <sub>2</sub> O <sub>3</sub> (Dia. = 4 mm; Length = 384 mm) for DIL801/802/803	190
863277.001	Transmission Rod Fused Silica (Dia. = 4 mm; Length = 384 mm) for DIL801/802/803	135
863276.001	Transmission Rod Fused Silica (Dia. = 4 mm; Length = 345 mm) for DIL801L/802L/803L	135
863460.001	Transmission Rod Glassy Carbon (Dia. = 4 mm; Length = 384 mm) for DIL801/802	1,060
863461.001	Transmission Rod Glassy Carbon (Dia. = 4 mm; Length = 367 mm) for DIL802 only	1,060
863285.001	Transmission Rod Al <sub>2</sub> O <sub>3</sub> (Dia. = 3 mm; Length = 367 mm) for DIL802 only	190
863286.001	Transmission Rod Al <sub>2</sub> O <sub>3</sub> (Dia. = 3 mm; Length = 384 mm) for DIL802 only	190
863458.001	Transmission Rod Al <sub>2</sub> O <sub>3</sub> (Dia. = 4 mm; Length = 367 mm) for DIL802 only	190
863466.001	Transmission Rod Al <sub>2</sub> O <sub>3</sub> (Dia. = 4 mm; Length = 328 mm) for DIL802L only	190

863465.001	Transmission Rod Fused Silica (Dia. = 4 mm; Length = 328 mm) for DIL802L only	130
863449.001	Transmission Rod Fused Silica (Dia. = 4 mm; Length = 367 mm) for DIL802 only	130
863636.901	Transmission Rod Fused Silica (Dia. = 4 mm; Length = 384 mm) with End Plate for DIL801 only	230

### DIL80X Series Dilatometers - System Components - Reference Materials

863382.904	Dilatometer Reference Material Borosilicate Glass (10 mm) for DIL80X instruments	320
863382.903	Dilatometer Reference Material Borosilicate Glass (20 mm) for DIL80X instruments	420
863382.902	Dilatometer Reference Material Borosilicate Glass (25 mm) for DIL80X instruments	530
863586.004	Dilatometer Reference Material Platinum (Dia. = 3 mm; Length = 10 mm) for DIL80X instruments	1,240
863586.003	Dilatometer Reference Material Platinum (Dia. = 3 mm; Length = 20 mm) for DIL80X instruments	1,550
863586.002	Dilatometer Reference Material Platinum (Dia. = 3 mm; Length = 25 mm) for DIL80X instruments	2,060
863586.001	Dilatometer Reference Material Platinum (Dia. = 3 mm; Length = 50 mm) for DIL80X instruments	1,430
863382.901	Standard Reference Material Borosilicate Glass (6.4 mm Square; Length = 50 mm) for DIL801/802/803 and DIL801L/802L/803L	700
863585.001	Standard Reference Material Fused Silica (Dia. = 5 mm; Length = 10 mm) for DIL801/802/803 and DIL801L/802L/803L	250
863585.002	Standard Reference Material Fused Silica (Dia. = 5 mm; Length = 20 mm) for DIL801/802/803 and DIL801L/802L/803L	480
863585.003	Standard Reference Material Fused Silica (Dia. = 5 mm; Length = 25 mm) for DIL801/802/803 and DIL801L/802L/803L	520
863585.004	Standard Reference Material Fused Silica (Dia. = 5 mm; Length = 50 mm) for DIL801/802/803 and DIL801L/802L/803L	710
863275.001	Standard Reference Material Sapphire (Dia. = 5 mm; Length = 10 mm) for DIL801/802/803 and DIL801L/802L/803L	995



863275.004	Standard Reference Material Sapphire (Dia. = 5 mm; Length = 20 mm) for DIL801/802/803 and DIL801L/802L/803L	1,080
863275.002	Standard Reference Material Sapphire (Dia. = 5 mm; Length = 25 mm) for DIL801/802/803 and DIL801L/802L/803L	1,220
863275.003	Standard Reference Material Sapphire (Dia. = 5 mm; Length = 30 mm) for DIL801/802/803 and DIL801L/802L/803L	1,300
863409.901	Standard Reference Material Sapphire (Dia. = 5 mm; Length = 50 mm) for DIL801/802/803 and DIL801L/802L/803L	1,860
863580.001	Standard Reference Material Borosilicate Glass (Dia. = 10 mm) for DIL806 only	420
863405.901	Standard Reference Material Fused Silica (Dia. = 10 mm) for DIL806 only	920
863405.902	Standard Reference Material Fused Silica (Dia. = 20 mm) for DIL806 only	710
863407.901	Standard Reference Material Sapphire (Dia. = 10 mm) for DIL806 only	1,420
863407.902	Standard Reference Material Sapphire (Dia. = 20 mm) for DIL806 only	530

### DIL80X Series Dilatometers - System Components - Sample Holders

863291.001	Container for Measurement of Pastes and Powders Al <sub>2</sub> O <sub>3</sub> for DIL801/802 and DIL801L/802L	470
863631.901	Sample Holder Al <sub>2</sub> O <sub>3</sub> (Dia. = 11 mm; Length = 275 mm) for DIL801L	605
863454.001	Sample Holder Al <sub>2</sub> O <sub>3</sub> (ID = 14 mm; Length = 350 mm) for DIL801/802/803 and DIL801L/802L/803L	565
863527.001	Sample Holder Al <sub>2</sub> O <sub>3</sub> (ID = 20 mm; Length = 350 mm) for DIL801/802/803 and DIL801L/802L/803L	1,380
863274.001	Sample Holder Fused Silica (ID = 16 mm; Length = 350 mm) for DIL801/802/803 and DIL801L/802L/803L	400
863274.002	Sample Holder Fused Silica (Dia. = 11 mm; Length = 350 mm) for DIL801/801L	400
863556.901	Sample Holder Fused Silica (Dia. = 25 mm; Length = 350 mm) for DIL801/802/803 and DIL801L/802L/803L	915
863646.901	Sample Holder Fused Silica (Dia. = 11.6 mm; Length = 330 mm) for DIL807	515

863459.001	Sample Holder Graphite (ID = 20 mm; Length = 350 mm) for DIL801/802	985
863499.001	Sample Holder with Fin Al <sub>2</sub> O <sub>3</sub> (Dia. = 4 mm; Length = 262.5 mm) for DIL801L only	545
863284.001	Sample Holder Al <sub>2</sub> O <sub>3</sub> with Slot for Thermocouple (ID = 12 mm; Length = 350 mm) for DIL801/802	605
863553.001	Sample Holder Al <sub>2</sub> O <sub>3</sub> with Slot for Thermocouple (Dia. = 14 mm; Length = 350 mm) for DIL801/802/803	955
863510.001	Sample Holder Al <sub>2</sub> O <sub>3</sub> with Slot for Thermocouple (Dia. = 12 mm; Length = 350 mm) for TMA801 only	985
863273.001	Sample Support for Fused Silica Sample Holder (ID = 16 mm) for round samples up to 6 mm diameter	20
863508.001	Sample Support for Fused Silica Sample Holder (ID = 16 mm) for square samples 4 mm on edge	15
863457.001	Sample Support for Al <sub>2</sub> O <sub>3</sub> Sample Holder (ID = 12 mm) for round samples up to 4.5 mm diameter	15
863502.001	Sample Support Platinum Wire for Fin Sample Holder for DIL801L	110
863529.001	Sample Support for Al <sub>2</sub> O <sub>3</sub> Sample Holder (ID = 20 mm) for round samples up to 8 mm diameter	15
863471.001	Sample Platform Al <sub>2</sub> O <sub>3</sub> (21 x 11 x 2 mm) for DIL806 only	45
863467.001	Sample Platform Fused Silica (21 x 11 x 2 mm) for DIL806 only	40
863620.901	Thin Film Holder for DIL806	800
863634.001	End Plate for Al <sub>2</sub> O <sub>3</sub> Sample Holder (Dia. = 11 mm) for DIL801L	95
863290.001	End Plate for Al <sub>2</sub> O <sub>3</sub> Sample Holder (Dia. = 12 mm) for DIL801/802	45
863456.001	End Plate for Al <sub>2</sub> O <sub>3</sub> Sample Holder (Dia. = 14 mm)	65
863528.001	End Plate for Al <sub>2</sub> O <sub>3</sub> Sample Holder (ID = 20 mm)	230
863462.001	End Plate for Graphite Sample Holder (ID = 20 mm)	45

### DIL80X Series Dilatometers - System Components - Protection Discs/Windows

863570.001	Protection Disc Al <sub>2</sub> O <sub>3</sub> (Dia. = 5 mm) for DIL80X instruments	15
863493.001	Protection Disc Al <sub>2</sub> O <sub>3</sub> (Dia. = 6 mm) for DIL80X instruments	5
863570.002	Protection Disc Al <sub>2</sub> O <sub>3</sub> (Dia. = 10 mm) for DIL80X instruments	35
863570.003	Protection Disc Al <sub>2</sub> O <sub>3</sub> (Dia. = 12 mm) for DIL80X instruments	35
863571.001	Protection Disk Fused Silica (Dia. = 6 mm) for DIL80X instruments	15
863571.002	Protection Disk Fused Silica (Dia. = 10 mm); for DIL80X instruments	35
863571.003	Protection Disk Fused Silica (Dia. = 12 mm); for DIL80X instruments	35

863572.001	Protection Window Fused Silica (44 x 12 x 2 mm) for DIL805, DIL806, and STD812	210
863573.001	Protection Window Fused Silica (35 x 16 x 2 mm) for DIL805 and STD812	210
863801.001	Protection Window Fused Silica (Dia. = 28.5 mm; Thickness = 4 mm) for STD812	110
863802.001	Protection Window Fused Silica (44 x 16 x 2 mm) for STD812	130

### DIL821 and DIL822 Vertical Dilatometer - System Components

863733.901	Dilatometer Measuring System DIL821 (Al <sub>2</sub> O <sub>3</sub> , Type B)	1,440
863732.901	Dilatometer Measuring System DIL821 (Al <sub>2</sub> O <sub>3</sub> , Type S)	1,240
863731.901	Dilatometer Measuring System DIL821 (Fused Silica, Type S)	1,020
863743.901	Dilatometer Measuring System DIL822 (Al <sub>2</sub> O <sub>3</sub> , Type B)	1,620
863742.901	Dilatometer Measuring System DIL822 (Al <sub>2</sub> O <sub>3</sub> , Type S)	1,440
863741.901	Dilatometer Measuring System DIL822 (Fused Silica, Type S)	1,150
863693.901	Furnace 1700 °C for DIL821/822	15,000
863763.901	Sample Holder Al <sub>2</sub> O <sub>3</sub> Type B for DIL821/822	1,240
863762.901	Sample Holder Al <sub>2</sub> O <sub>3</sub> Type S for DIL821/822	1,040
863761.901	Sample Holder Fused Silica Type S for DIL821/822	885
863752.901	Transmission Rod Al <sub>2</sub> O <sub>3</sub> (Dia. = 4 mm; Length = 294 mm) for DIL821/822	195
863751.901	Transmission Rod Fused Silica (Dia. = 4 mm; Length = 294 mm) for DIL821/822	135

### DIL821HT and DIL822HT High Temperature Vertical Dilatometer - System Components

863770.901	Dilatometer Measuring System DIL821HT (Al <sub>2</sub> O <sub>3</sub> , Type B) 1700 °C	1,440
863771.901	Dilatometer Measuring System DIL821HT (Graphite, Type C) 2000 °C	2,880
863772.901	Dilatometer Measuring System DIL821HT (Graphite) 2300 °C	2,680
863780.901	Dilatometer Measuring System DIL822HT (Al <sub>2</sub> O <sub>3</sub> , Type B) 1700 °C	1,650
863781.901	Dilatometer Measuring System DIL822HT (Graphite, Type C) 2000 °C	3,040
863782.901	Dilatometer Measuring System DIL822HT (Graphite) 2300 °C	2,880
863785.901	Transmission Rod Al <sub>2</sub> O <sub>3</sub> (Dia. = 4 mm; Length = 326 mm) for DIL821HT/822HT	195

863786.901	Transmission Rod Glassy Carbon (Dia. = 4 mm; Length = 326 mm) for DIL821HT/822HT	925
863790.901	Sample Holder Al <sub>2</sub> O <sub>3</sub> Type B for DIL821HT/822HT	1,240
863791.901	Sample Holder Graphite Type C for DIL821HT/822HT	2,370
863792.901	Sample Holder Graphite for DIL821HT/822HT	1,440
863793.001	End Plate for Graphite Sample Holder (Dia. = 14 mm) for DIL821HT/822HT	115
863795.901	Protection Tube Al <sub>2</sub> O <sub>3</sub> for DIL821HT/822HT	3,300
863796.901	Protection Tube Glassy Carbon for DIL821HT/822HT	8,760

### Simultaneous Thermal Analyzer - STA Instruments and System Components

#### STA Instruments - System Components - Measuring Systems

862921.901	DTA701 Measuring System (Dia. = 6 mm, Type S)	1,160
864801.901	DTA703 Measuring System (Dia. = 6 mm, Type B)	2,470
864800.901	DTA703 Measuring System (Dia. = 6 mm, Type S)	1,660
864240.901	STA502 Measuring System (Dia. = 9 mm, Type S) for Disk Furnace	1,060
864107.901	STA503 Measuring System (Dia. = 6 mm, Type B)	2,360
864108.901	STA503 Measuring System (Dia. = 6 mm, Type S)	1,390
864221.901	STA504 Measuring System (Dia. = 6 mm, Type B)	2,470
864222.901	STA504 Measuring System (Dia. = 6 mm, Type K)	1,570
864220.901	STA504 Measuring System (Dia. = 6 mm, Type S)	1,660
864224.901	STA504 Measuring System (Dia. = 9 mm, Type S)	1,800
864124.901	STA504 TG Measuring System (Dia. = 9 mm, Type S)	1,230
864225.901	STA504 TG Measuring System (Dia. = 17 mm, Type S)	1,320
864109.901	TGA503 Measuring System (Dia. = 6 mm, Type S)	1,250

#### STA Instruments - System Components - Furnaces

864253.901	Furnace -160 °C up to 700 °C (for STA and TGA 504)	9,220
864254.901	Furnace max. 1100 °C (for STA and TGA 504)	4,390
864255.901	Furnace max. 1500 °C (for STA and TGA 504)	14,500
864256.901	Furnace max. 1700 °C (for STA and TGA 504)	16,800

### STA Instruments - System Components - Crucibles

864305.001	Crucible Al <sub>2</sub> O <sub>3</sub> (OD = 6 mm; Height = 2.5 mm)	20
864305.003	Crucible Al <sub>2</sub> O <sub>3</sub> (OD = 6 mm; Height = 7.5 mm)	10
864305.002	Crucible Al <sub>2</sub> O <sub>3</sub> (OD = 9 mm; Height = 5 mm)	15
864304.001	Crucible Al <sub>2</sub> O <sub>3</sub> (OD = 9 mm; Height = 10 mm)	15
864303.001	Crucible Al <sub>2</sub> O <sub>3</sub> (OD = 17 mm; Height = 10 mm)	15
864307.001	Crucible Lid Al <sub>2</sub> O <sub>3</sub> (for Crucible OD = 6 mm)	7
864307.003	Crucible Lid Al <sub>2</sub> O <sub>3</sub> (for Crucible OD = 9 mm)	7
864307.002	Crucible Lid with Hole Al <sub>2</sub> O <sub>3</sub> (for Crucible OD = 6mm)	10
864306.001	Crucible Platinum (OD = 6 mm; Height = 2 mm)	130
864306.002	Crucible Platinum (OD = 6 mm; Height = 3.5 mm)	150
864306.003	Crucible Platinum (OD = 9 mm; Height = 5 mm)	235
864306.004	Crucible Platinum (OD = 9 mm; Height = 10 mm)	350
864308.001	Crucible Lid Platinum (for Crucible OD = 6 mm)	35
864308.002	Crucible Lid Platinum (for Crucible OD = 9 mm)	65

### STA Instruments - System Components - Reference Materials

864301.901	STA and DTA Reference Material (128 - 430 °C)	740
864302.901	STA and DTA Reference Material (156 - 1064 °C)	740

### Viscometer - VIS Instruments and System Components

#### VIS403 and VIS403HF Viscometer Instruments - System Components

862302.901	Induction Coil (Dia. = 40 mm; Length = 90 mm) for VIS403HF	2,960
862912.001	Rotor Pt/Rh (Dia. = 9 mm) for VIS403 and VIS403HF	9,290
862912.002	Rotor (Dia. = 19 mm) for VIS403 and VIS403HF	10,100
862900.901	Beam Bending Measuring System Fused Silica for VIS401	2,380
862901.901	Upper Beam Bending Fused Silica for VIS401	625
862902.901	Lower Beam Bending Fused Silica for VIS401	1,080
862904.001	Sample Support without Center Notch Fused Silica for VIS401	205
862916.001	Measuring Crucible for VIS403	13,100
862911.001	Measuring Crucible Pt/Rh for VIS403HF	15,700
863400.001	Holder for Measuring Crucible without hole for VIS403	1,230

862915.001	Holder for Measuring Crucible with hole for VIS403	1,230
862401.901	Holder for 195 mm Measuring Crucible for VIS403HF	1,600
862334.901	Reference Material Lime Soda Glass for VIS403 and VIS403HF	400
862335.901	Reference Material Borosilicate Glass for VIS403 and VIS403HF	150

### Thermophysical Computer

202568.001	Thermophysical Computer for DIL, STA, and VIS Instruments	3,190
113996.901	Thermophysical Computer for DLF, DXF, DHD, DTC, DVD Instruments	2,310
863195.901	Computer Upgrade/Replacement for DIL805A/D	4,150

### LaserComp Thermal Conductivity Instruments

#### Cooling Options

880300.901	Neslab TF900 (110VAC, 60Hz)	6,370
880300.902	Neslab TF900 (220VAC, 50Hz)	6,370
880300.903	Neslab TF900 (208VAC, 60Hz)	6,370
880310.901	ThermoCube 400 (110VAC, 60Hz)	5,300
880310.902	ThermoCube 400 (220VAC, 50Hz)	5,300

#### Calibration Materials, Options, and Miscellaneous Accessories

880400.901	EPS 8" Calibration Standard	480
880410.901	EPS 12" Calibration Standard	480
880420.901	EPS 24" Calibration Standard	1,010
880430.901	EPS 24" with Surround Insulation for 30" x 30"	1,060
880440.901	EPS 24" with Surround Insulation for 41" x 30"	1,600
880460.901	Pyrex Two Thickness Reference Standard (set of 2)	320
880470.901	Perspex Two Thickness Reference Standard (set of 2)	640
880480.901	Vespel Two Thickness Reference Standard (set of 2)	640
880510.901	Pyroceram Two Thickness Reference Standard (set of 2)	2,580
880511.901	Polycarbonate Two Thickness Reference Standard (set of 2)	620
880512.901	NIST 1450d Reference Material (8" x 8")	515
880513.901	NIST 1450d Reference Material (12" x 12")	515
880514.901	NIST 1450d Reference Material (24" x 24")	1,030

880536.901	NIST 1453 Expanded Polystyrene Board (8" x 8") (includes NIST Certificate of Analysis) for FOX 200 Heat Flow Meter	515
880537.901	NIST 1453 Expanded Polystyrene Board (12" x 12") (includes NIST Certificate of Analysis) for FOX 304 and FOX 314 Heat Flow Meter	515
880538.901	NIST 1453 Expanded Polystyrene Board (24" x 24") (includes NIST Certificate of Analysis ) f or FOX 600 Series Heat Flow Meter	1,180
880540.901	NIST 1453 Expanded Polystyrene Board with Surround Insulation (30" x 30") (includes NIST Certificate of Analysis) for FOX 800 Heat Flow Meter	2,380
880539.901	NIST 1453 Expanded Polystyrene Board with Surround Insulation (41" x 30") (includes NIST Certificate of Analysis) for FOX 1000 Heat Flow Meter	2,380
880515.901	IRMM-440 Reference Material (8" x 8")	620
880516.901	IRMM-440 Reference Material (12" x 12")	1,550
880517.901	IRMM-440 Reference Material (24" x 24")	3,610
880532.901	Specific Heat Capacity Software for FOX Heat Flow Meter instruments	4,120
880518.901	FOX 50 High Temperature Liquid Cell Package	2,060
880519.901	Pyrex Disc, 1/8 inch (3 mm) Thick, for use with the FOX 50 Liquid Cell	310
880530.901	FOX 50 10 mm Transducer Active Area Option	1,550
880534.901	FOX 200/314 Lower Limit Extended Temperature Option	2,580
880529.901	FOX 200/314 Upper Limit Extended Temperature Option	3,610
880531.901	FOX 600/801/1000 High Output Thicker Transducer Option	1,550
880533.901	FOX 600/801/1000 L High Output Thicker Transducer Option (larger sensor area)	1,550
880528.901	FOX 50 Rubber Mat Set (2.5" diameter)	40
880527.901	FOX 200 Rubber Mat Set (8" x 8")	40
880526.901	FOX 314 Rubber Mat Set (12" x 12")	100
880525.901	FOX 600 Rubber Mat Set (24" x 24")	200
880535.901	FOX 801 Rubber Mat Set (30" x 30")	360



FOX 314 with  
Recirculating Chiller





## AMERICAS

- New Castle, DE USA
- Lindon, UT USA
- Saugus, MA USA
- Eden Prairie, MN USA
- Chicago, IL USA
- Montreal, Canada
- Mexico City, Mexico
- São Paulo, Brazil

## EUROPE

- Hüllhorst, Germany
- Eschborn, Germany
- Wetzlar, Germany
- Elstree, United Kingdom
- Brussels, Belgium
- Eftten-Leur, Netherlands
- Paris, France
- Barcelona, Spain
- Milano, Italy
- Warsaw, Poland
- Prague, Czech Republic
- Sollentuna, Sweden
- Copenhagen, Denmark

## ASIA & AUSTRALIA

- Shanghai, China
- Beijing, China
- Tokyo, Japan
- Seoul, South Korea
- Taipei, Taiwan
- Guangzhou, China
- Petaling Jaya, Malaysia
- Singapore
- Bangalore, India
- Sydney, Australia



[tainstruments.com](http://tainstruments.com)